



### SenseCAP Gateway - LoRaWAN



### Specifications

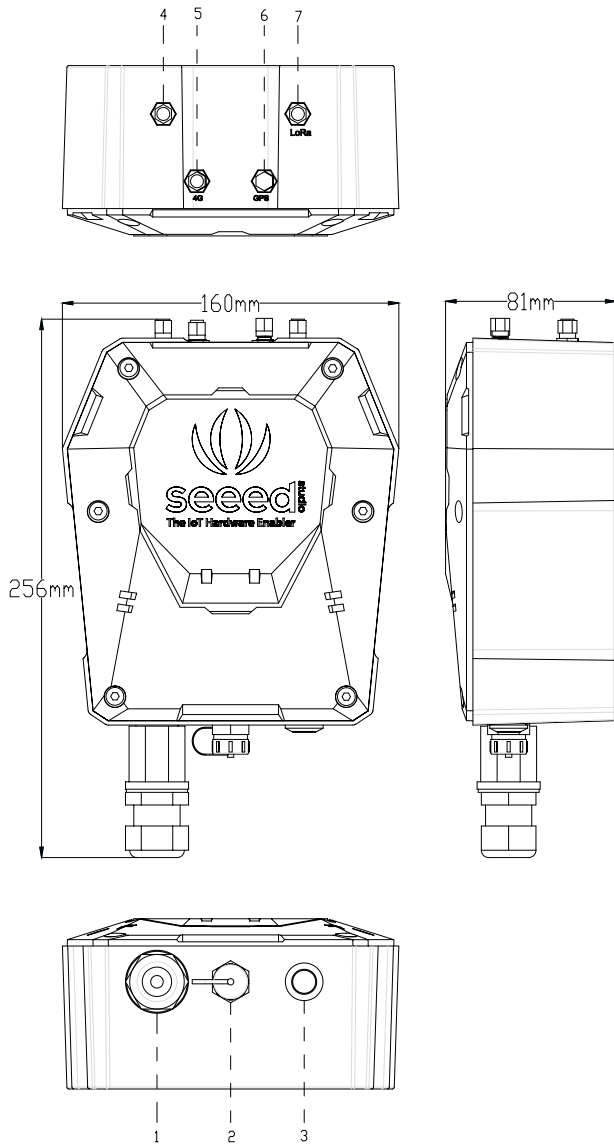
Product Model	
Model	Region
LoRa-G-868-E/4G	European, Africa, Asia (India etc.)
LoRa-G-923-E/4G	Japan, Malaysia, Singapore, Brunei, Cambodia, Hong Kong, Indonesia, Laos, Taiwan, Thailand, Vietnam, Peru etc.
LoRa-G-915-E/4G	USA, Canada and South America
LoRa-G-AU915-E/4G	Australia, etc.
LoRa Parameters	
Protocol	Based on LoRaWAN v1.0.2 protocol
Channel Plan	EU868/US915/AU915/AS923
Power Output	25dBm
Sensitivity	-139dBm (SF12BW125)
General Parameters	
CPU	TI AM3358 Cortex-A8 1GHz
System	Linux Debian
RAM	DDR3 512MB
Memory	8GB eMMC
Ethernet	100Mbps FE (RJ-45)
4G Band	LTE-FDD: B1/B2/B3/B4/B5/B7/B8/B12/B13/B18/B19/B20/B25/B26/B28 LTE-TDD: B38/B39/B40/B41 WCDMA: B1/B2/B4/B5/B6/B8/B19 GSM: 850/900/1800/1900MHz
4G Features	Support non-CA Cat 4 FDD and TDD LTE-FDD: Max 150Mbps (DL), Max 50Mbps (UL) LTE-TDD: Max 130Mbps (DL), Max 30Mbps (UL)

### Introduction

SenseCAP LoRaWAN Gateway(\*) is based on LoRaWAN®(\*\*) protocol, applicable for low-power, long-distance environmental data collection and monitoring in scenarios such as smart agriculture and smart city, etc. As the central device of the LoRa network, the gateway is used for collecting data from different Sensor Nodes and transmit the data to the SenseCAP Portal via 4G or Ethernet cable. Equipped with a high-performance processor and telecom-operator-level LoRa chip, this gateway ensures stable and high performance in a large-scale network. The gateway is designed with an IP66-protection-level enclosure, making it suitable for industrial applications in severe outdoor environments.

General Parameters	
UMTS Features	Support 3GPP R8 DC-HSDPA, HSPA+, HSDPA, HSUPA and WCDMA DC-HSDPA: Max 42Mbps (DL) HSUPA: Max 5.76Mbps (UL) WCDMA: Max 384Kbps (DL), Max 384Kbps (UL)
LoRa Antenna	2.5dBi gain / Vertical polarization / Omni-directional / SMA-J connector
4G Antenna	0-4 dBi gain / Linear polarization / Omni-directional / SMA-J connector
LED Indicator	Indicating network condition (online/offline)
Grounding	Reserved 1 screw hole for GND
Power Consumption	3.6W
Power Supply	DC 12V/2A
IP Rating	IP66
UV Resistance	anti-aging (from rain/sun exposure): UL746C F1
Enclosure Material	PC
Operating Temperature	-40 °C to +70 °C
Operating Humidity	0 to 100 %RH (non-condensing)
Installation Method	Wall or pole mounting
Device Weight	777g
Device Dimension	256mm * 160mm * 81mm

## Device Dimensions



1. Ethernet Port
2. Power Connector
3. LED
4. Reserved
5. 4G Antenna Connector
6. Reserved
7. LoRa Antenna Connector

## Certification



\*\* The LoRaWAN® name and the associated logo are licensed by the LoRa Alliance.

\* SenseCAP LoRaWAN Gateway can access SenseCAP Server, The Thing Network Server and The ChirpStack open-source LoRaWAN Network Server. However, it can only be used with SenseCAP Sensor.