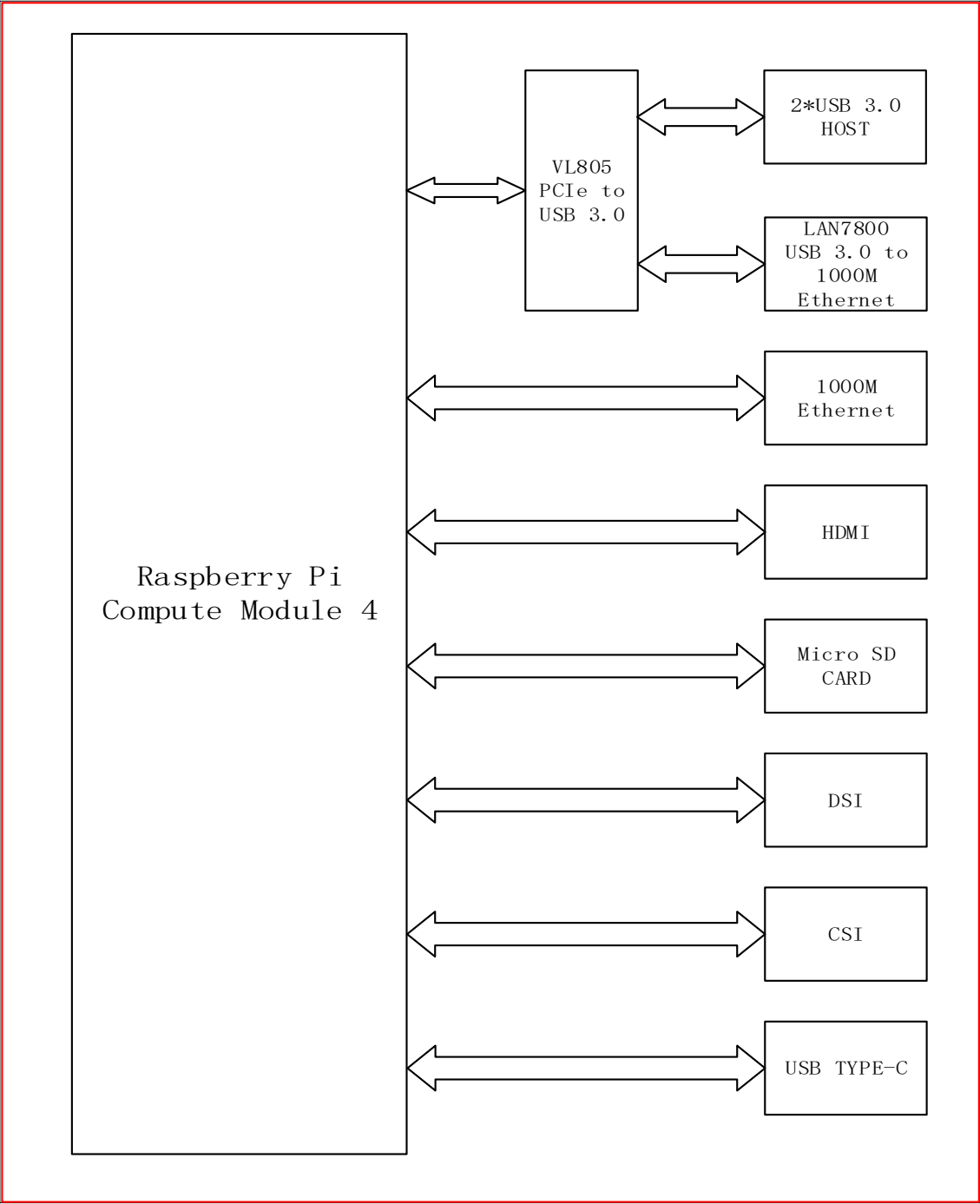


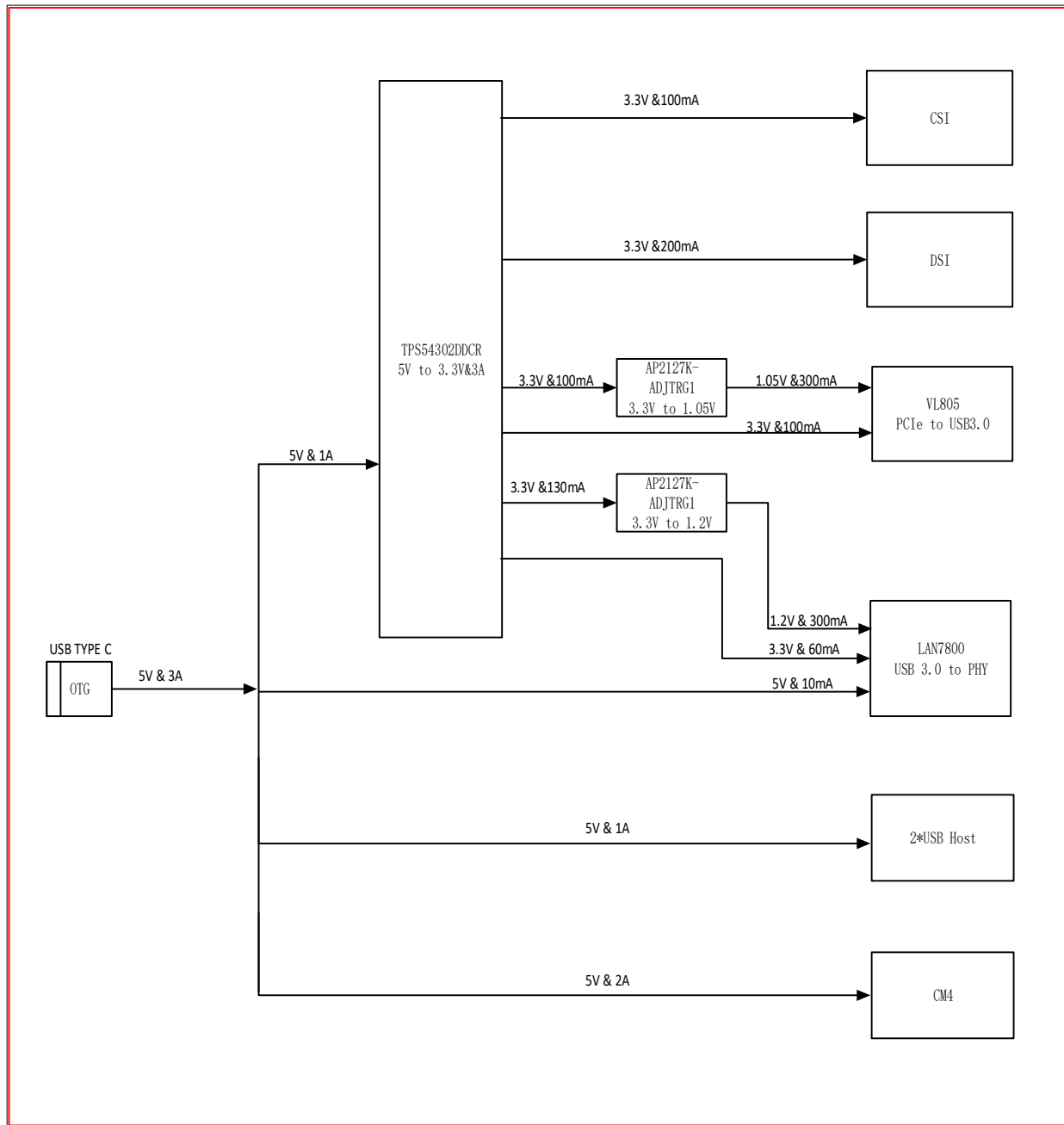
Schematic: CM4 EVB

SHEET	SHEET NAME
01	Title, Revision History
02	Block Diagram
03	Power Block Diagram
04	Power Management
05	CM4
06	PCIe to USB3.0
07	USB3.0 to SATA
08	USB to Ethernet
09	RJ45
10	OTG & HOST
11	HDMI
12	DSI & CSI
13	Micro SDCARD
14	RPI40
15	SWITCH/BUTTON & LED

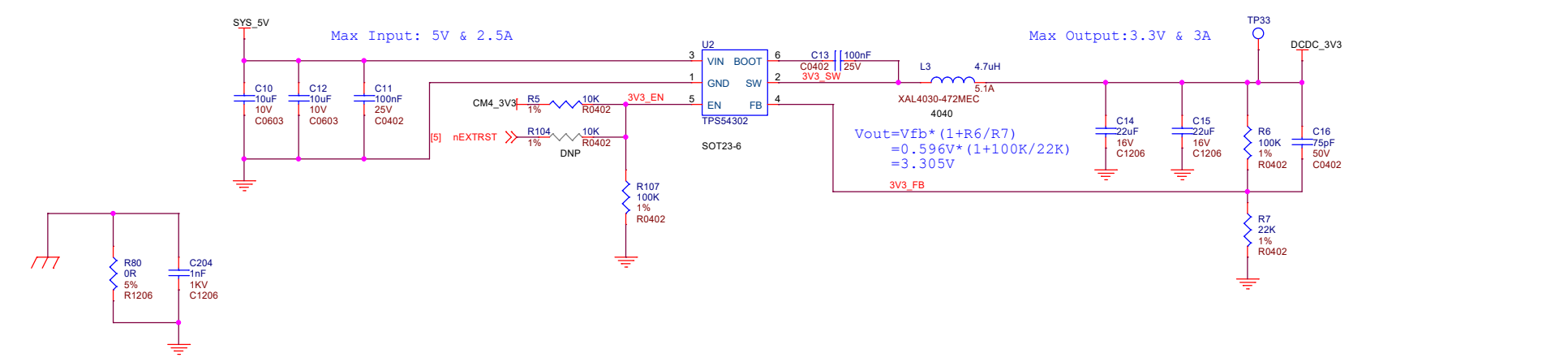
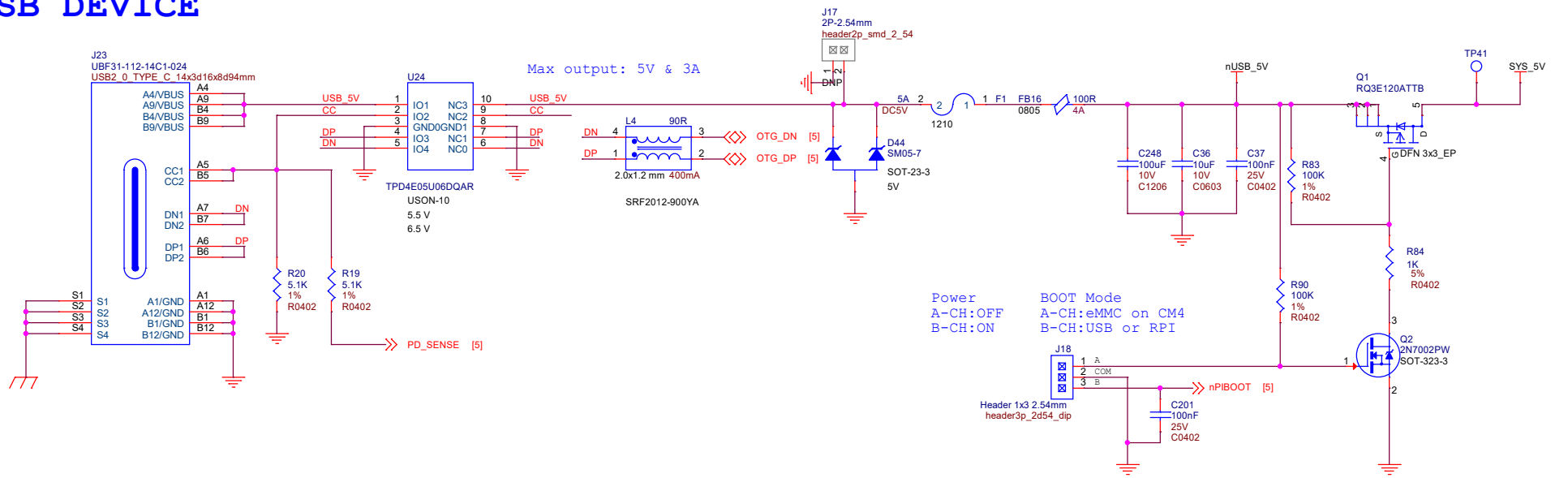
Revision History

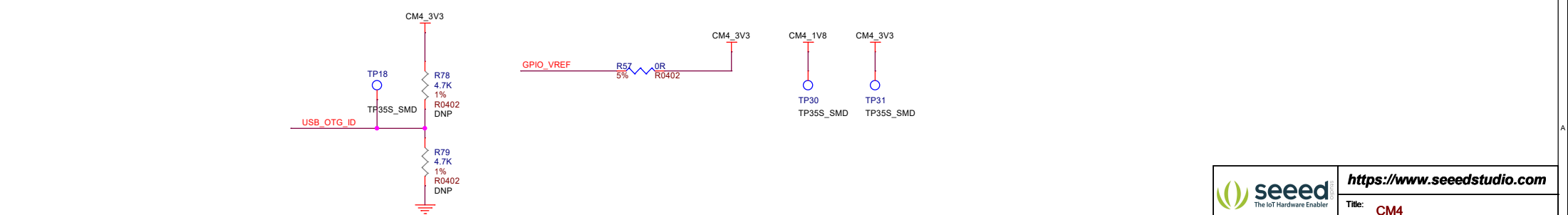
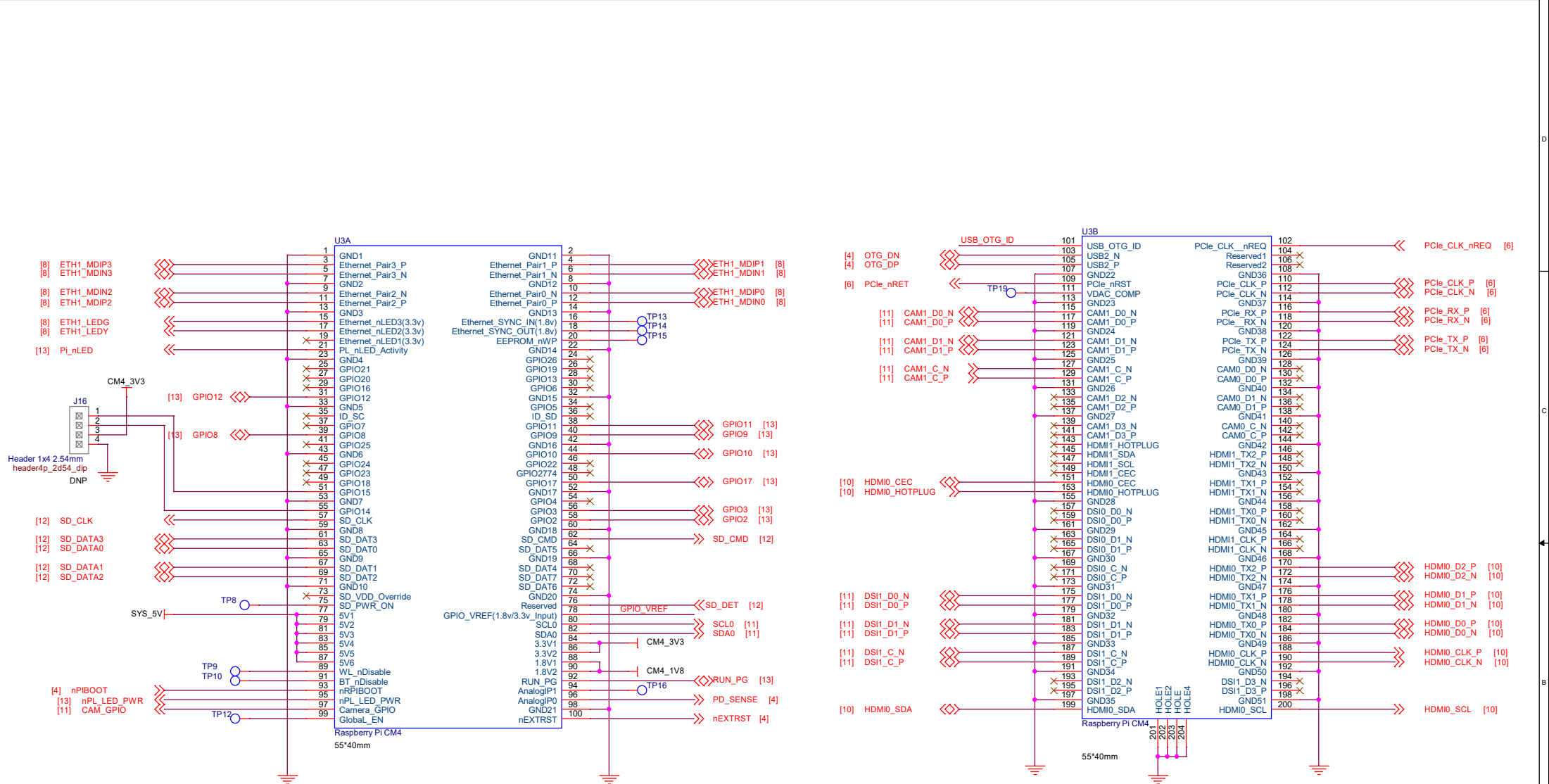
DATE	REVISION	DESCRIPTION
2020/05/18	CM4 EVB_SCH V1.0	1. Frist prototype.
2020/12/22	CM4 EVB_SCH V1.1	1. Replace DSI0 with DSI1 2. Replace CSI0 with CSI1 3. Add SPI flash Test Point 4. Raplacement USB PHY

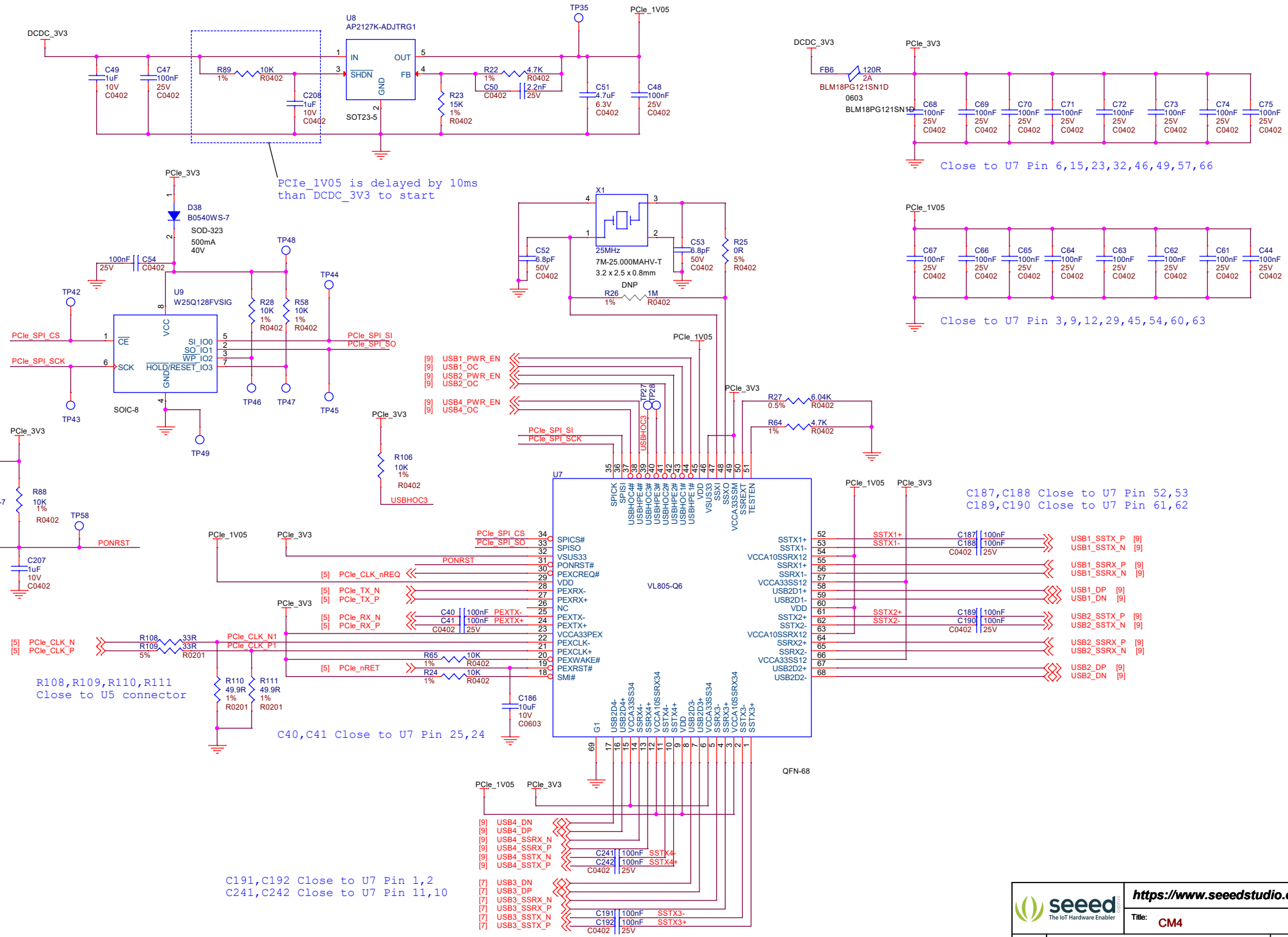




USB DEVICE







PCIe_1V05 is delayed by 10ms than DCDC_3V3 to start

Close to U7 Pin 6,15,23,32,46,49,57,66

Close to U7 Pin 3,9,12,29,45,54,60,63

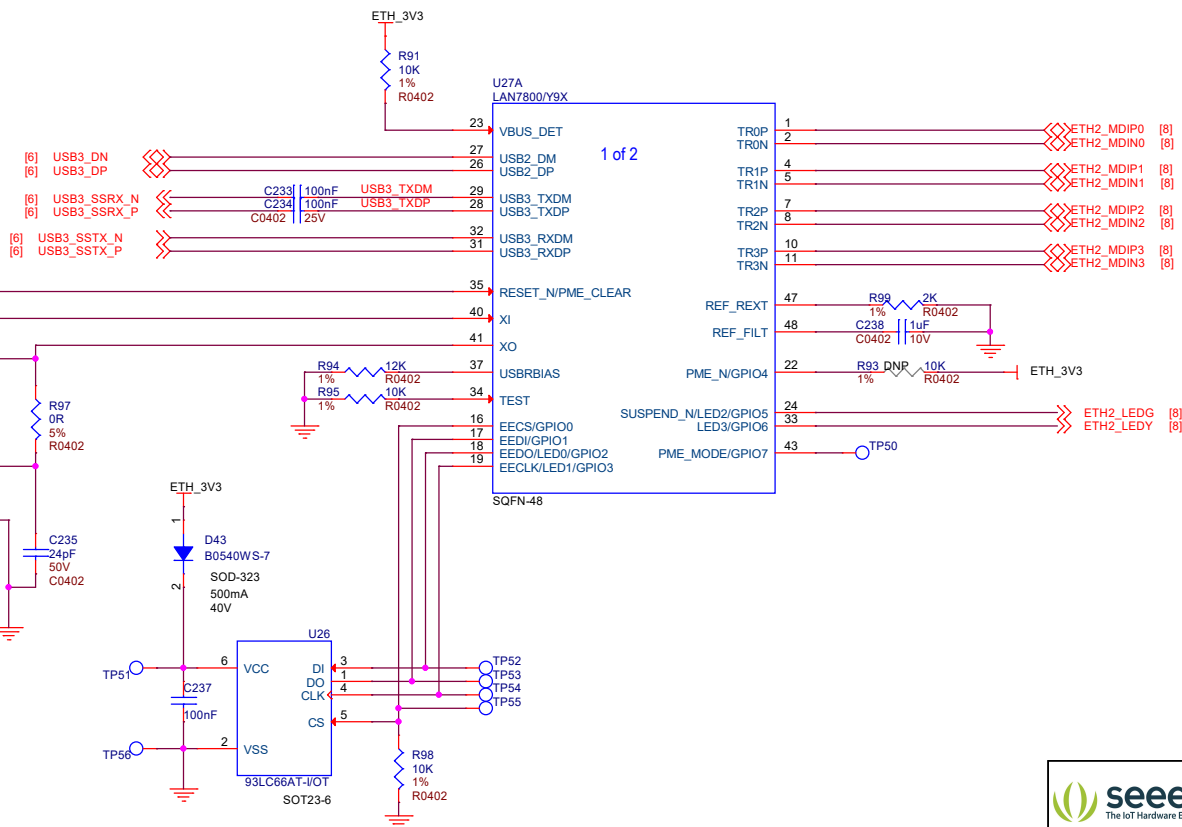
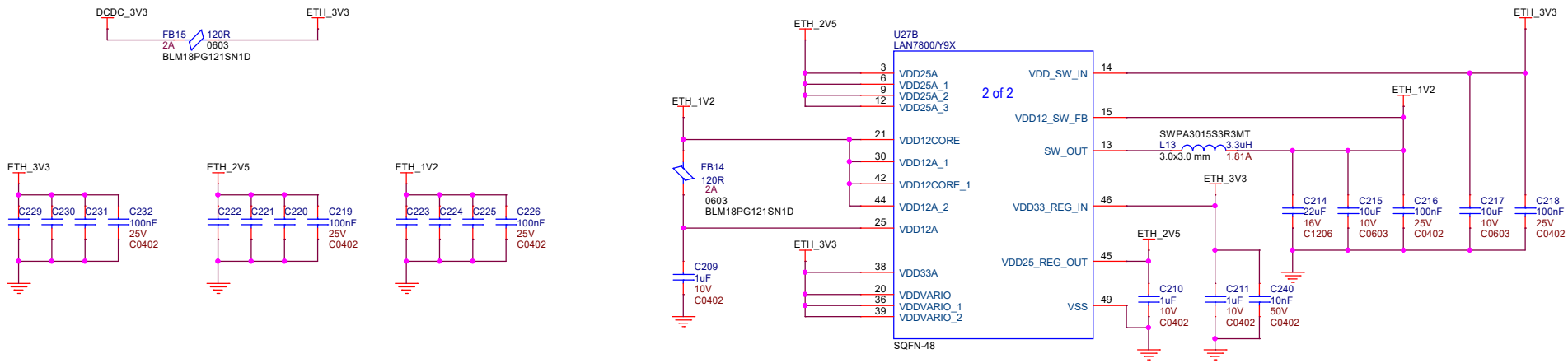
C187,C188 Close to U7 Pin 52,53
C189,C190 Close to U7 Pin 61,62

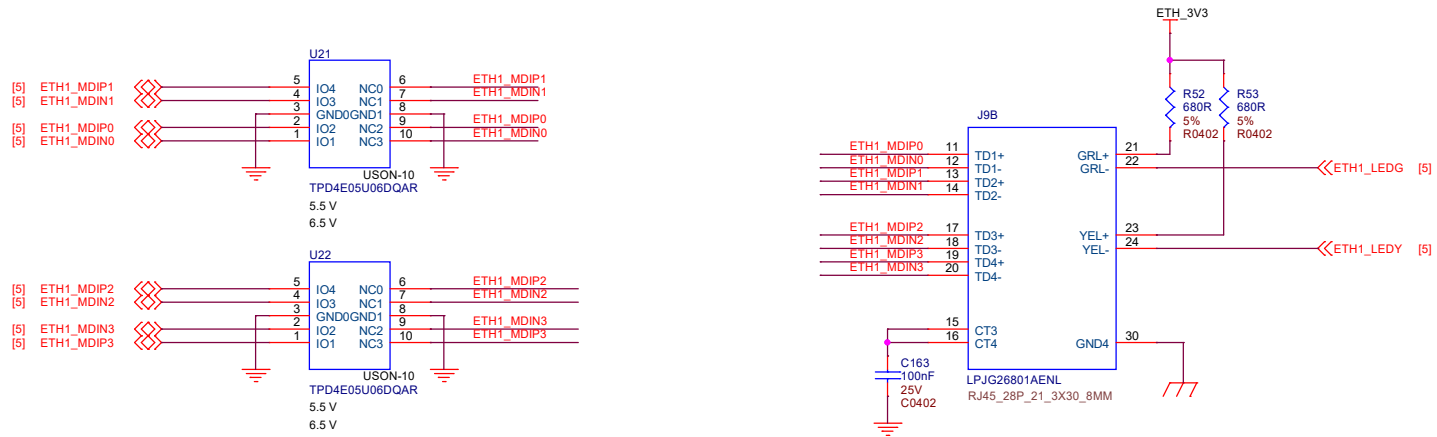
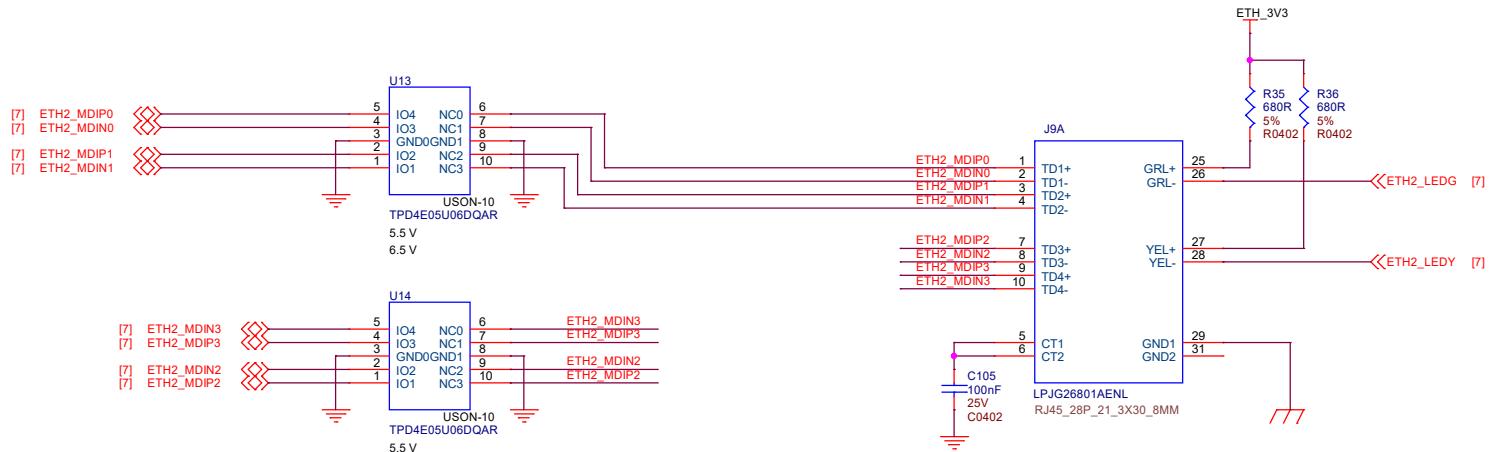
R108,R109,R110,R111
Close to U5 connector

C40,C41 Close to U7 Pin 25,24

C191,C192 Close to U7 Pin 1,2
C241,C242 Close to U7 Pin 11,10

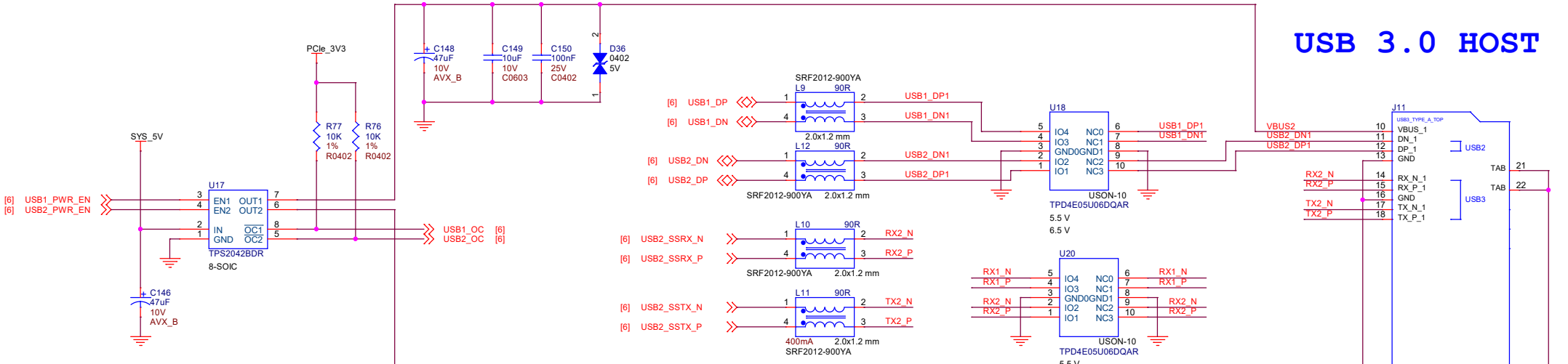
		https://www.seeedstudio.com	
		Title: CM4	
Size: A3	Document Number: 06 PCIe to USB3.0	Rev.: v1.1	Draw By: Yehu.He
Date: Monday, March 29, 2021		Sheet: 6 of 13	



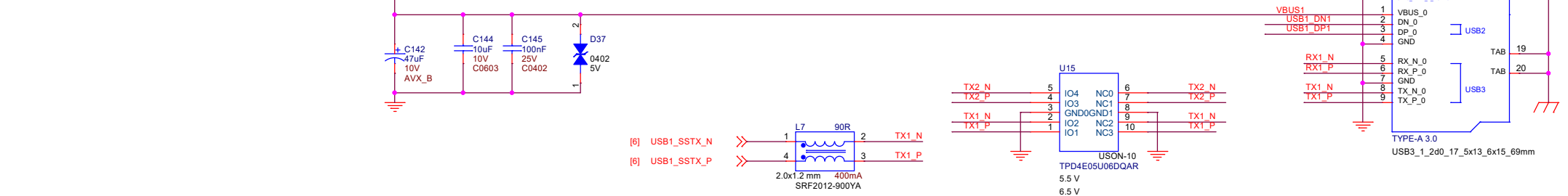


Current limit 1A
C148,C149,C150 Close to J11 Pin 10

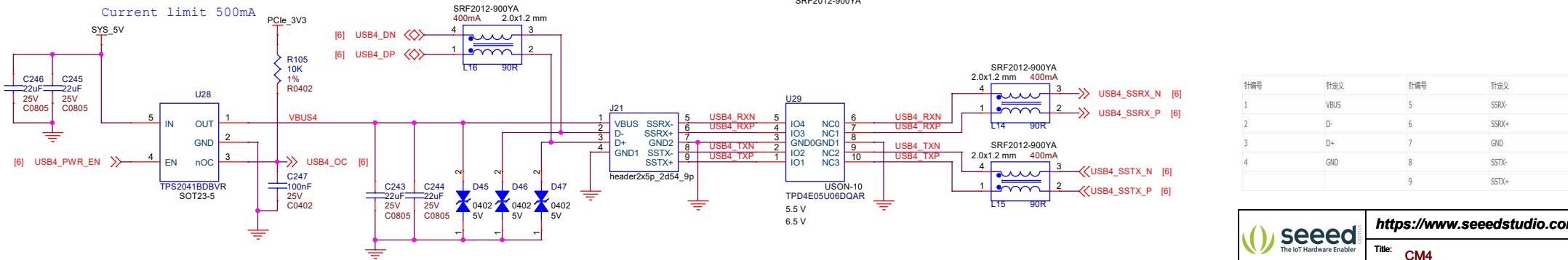
USB 3.0 HOST




Current limit 1A
C148C144,C145 Close to J11 Pin 1

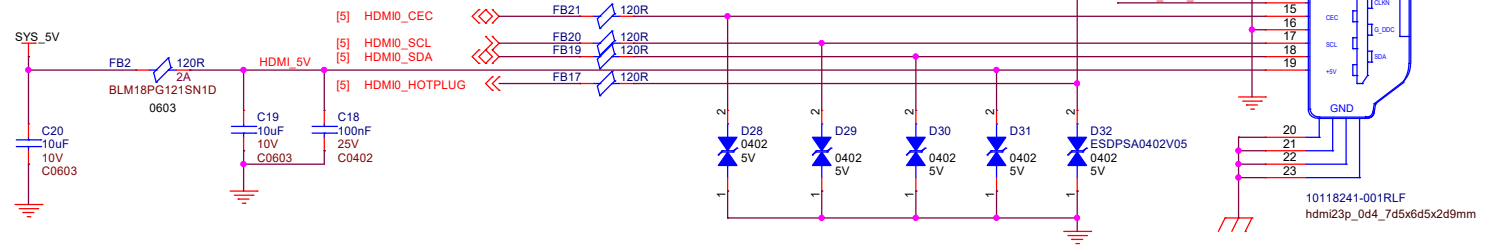
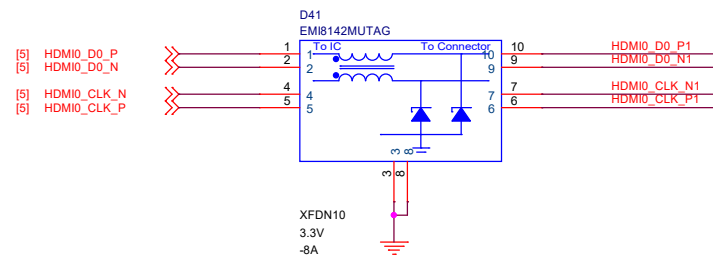
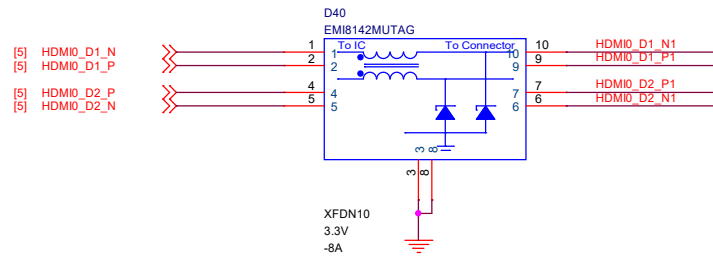


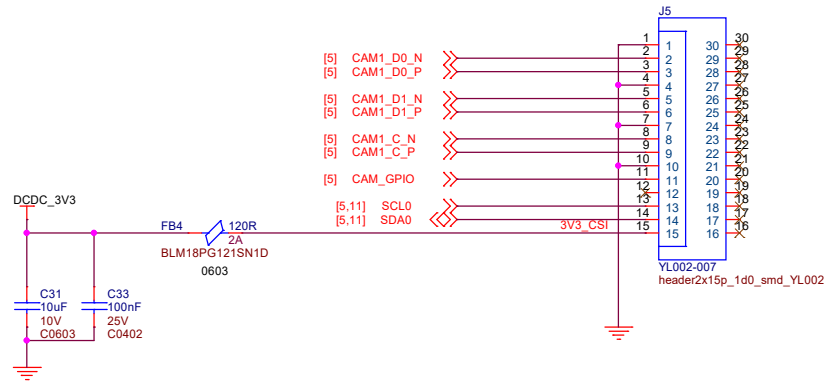
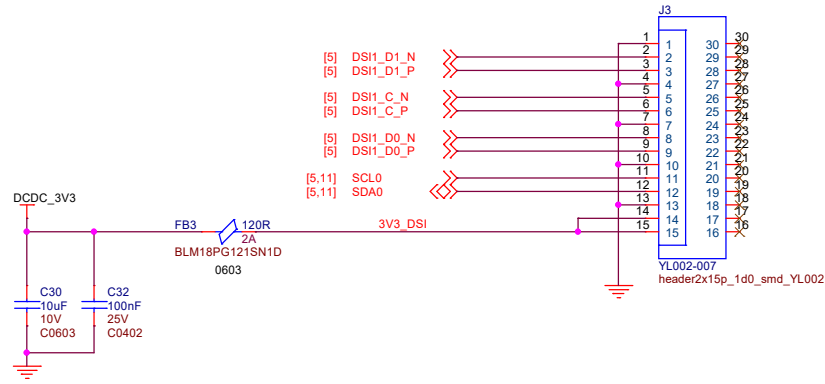
USB 3.0 Header

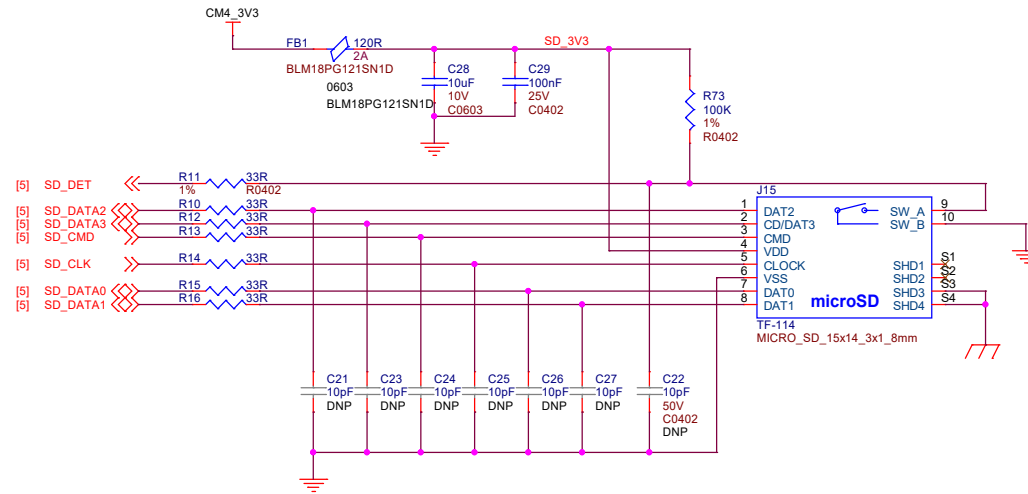


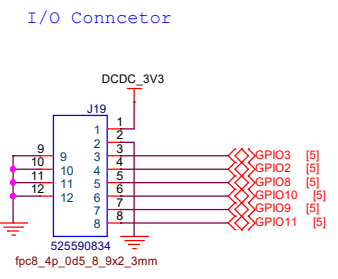
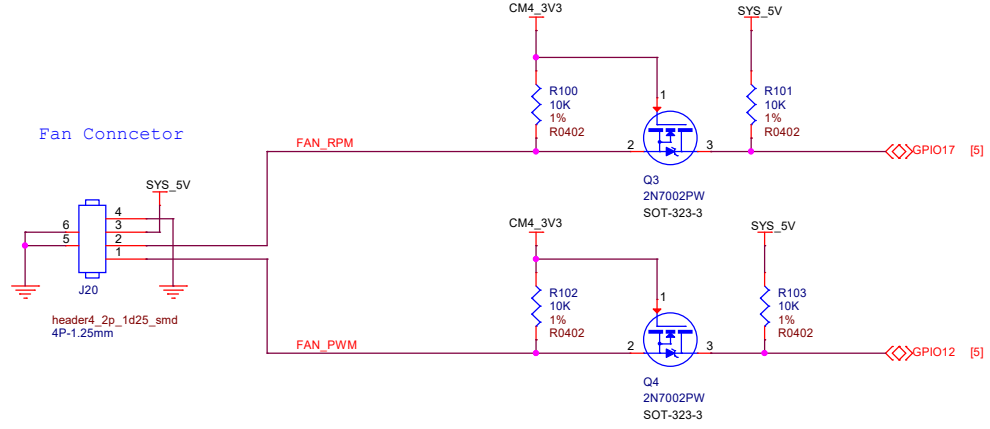
针编号	针定义	针编号	针定义
1	VBUS	5	SSRX-
2	D-	6	SSRX+
3	D+	7	GND
4	GND	8	SSTX-
		9	SSTX+


<https://www.seeedstudio.com>
Title: CM4
 Size: A3 | Document Number: 09 USB HOST | Rev: v1.1
 Draw By: Yehu.He | Date: Monday, March 29, 2021 | Sheet: 9 of 13

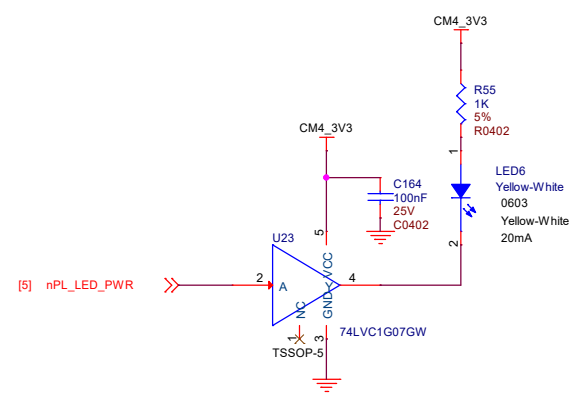




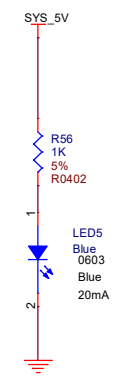




CM4 Working LED



POWER LED



System RESET BUTTON

