

01 Descriptions



File: 01 Descriptions.kicad_sch

02 Block Diagram



File: 02 Block Diagram.kicad_sch

03 XIAO



File: 03 XIAO.kicad_sch

04 E-ink



File: 04 E-ink.kicad_sch

seeed studio

Seeed Studio

Sheet: /

File: XIAO ePaper Display Board EE05_V1.0.kicad_sch

Title: XIAO ePaper Dsiplay Board EE05

Size: A4

Date: 2025-12-17

Rev: v1.0

KiCad E.D.A. 9.0.7

Id: 1/5

CC BY-SA 4.0

Version	Descriptions	Data	Name
V1.0	Initail Version	12/17/2025	Genta.Lee

seeed studio

Seed Studio

Sheet: /01 Descriptions/

File: 01 Descriptions.kicad_sch

Title: XIAO ePaper Dsiplay Board EE05

Size: A4

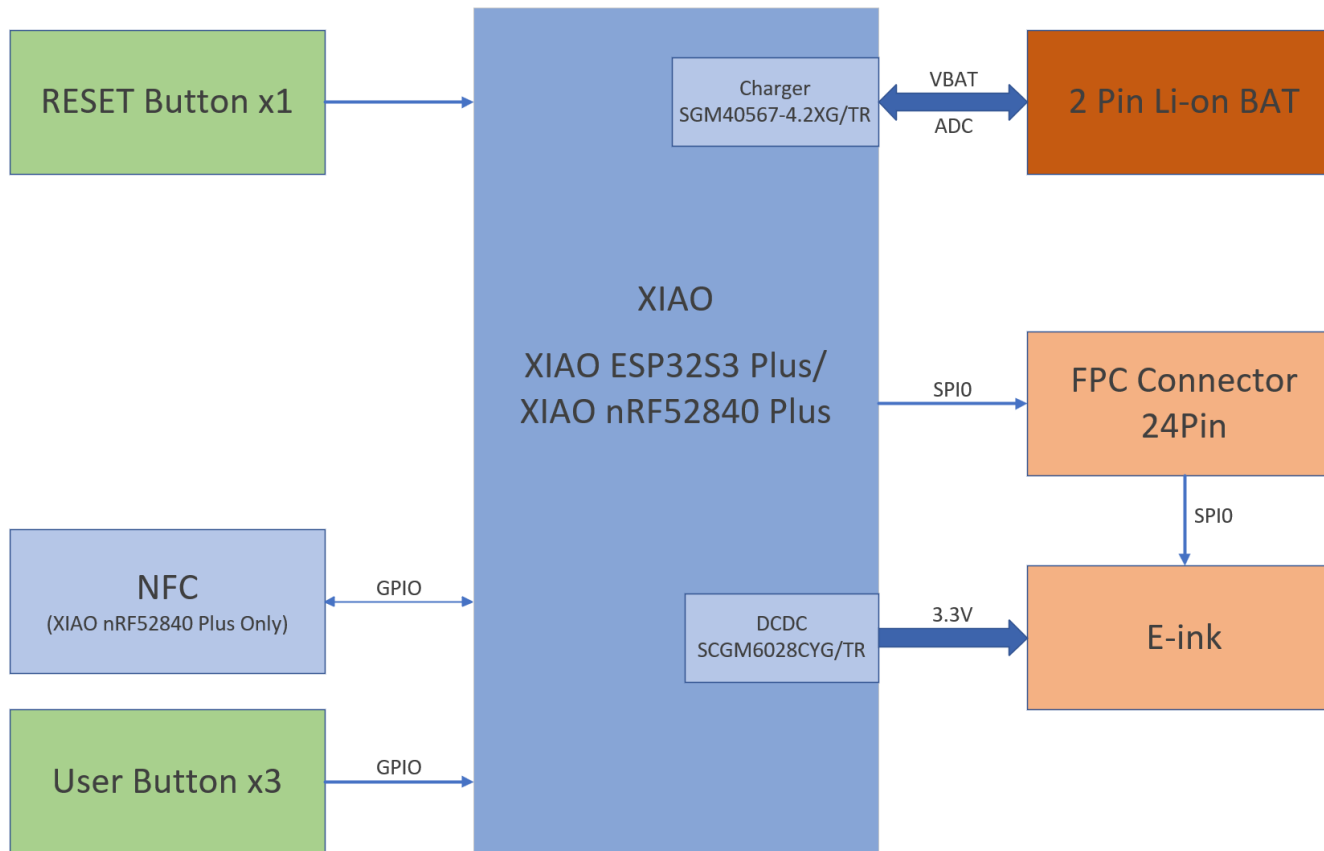
Date: 2025-12-17

Rev: v1.0

KiCad E.D.A. 9.0.7

Id: 2/5

CC BY-SA 4.0



seeed studio

Seeed Studio

Sheet: /02 Block Diagram/

File: 02 Block Diagram.kicad_sch

Title: XIAO ePaper Display Board EE05

Size: A4

Date: 2025-12-17

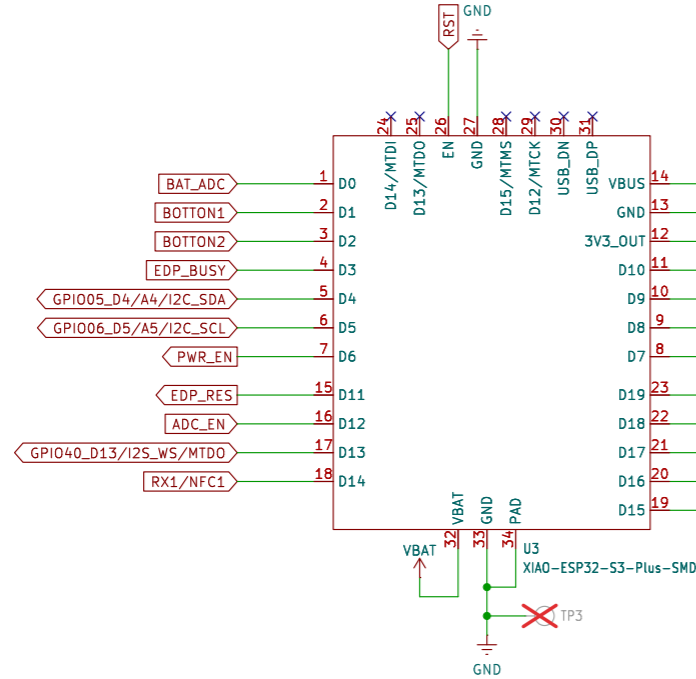
Rev: v1.0

KiCad E.D.A. 9.0.7

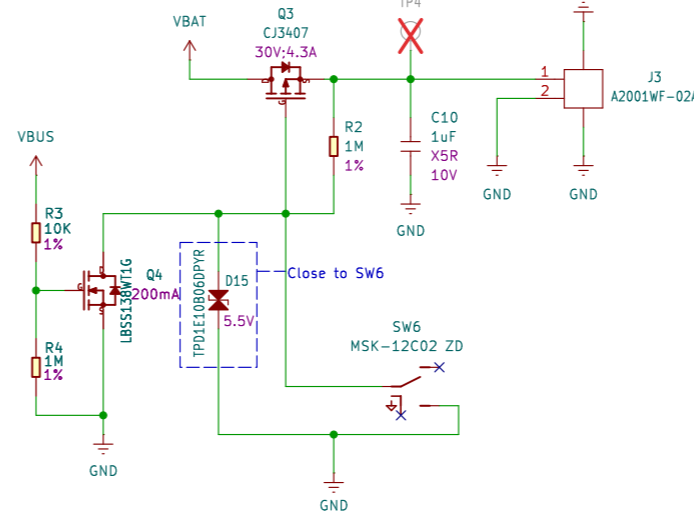
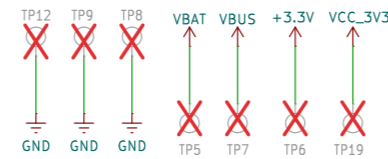
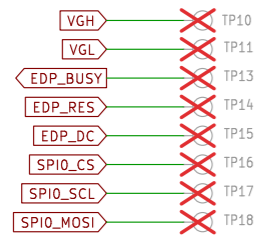
Id: 3/5

CC BY-SA 4.0

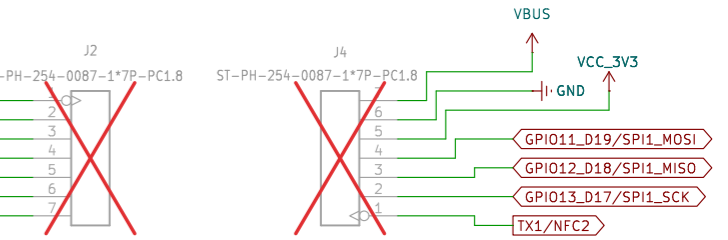
XIAO



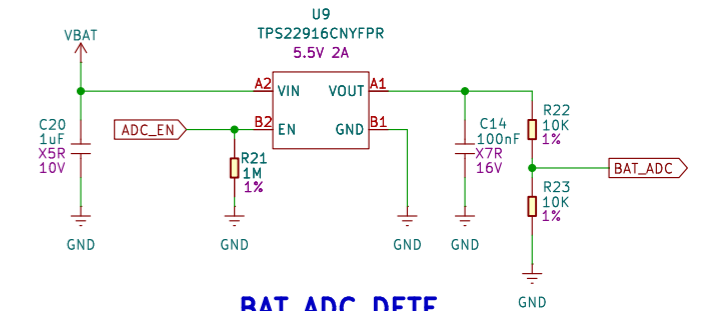
XIAO Plus



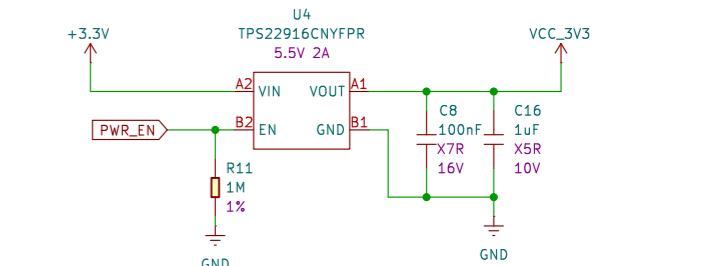
BAT SWITCH



XIAO Pins

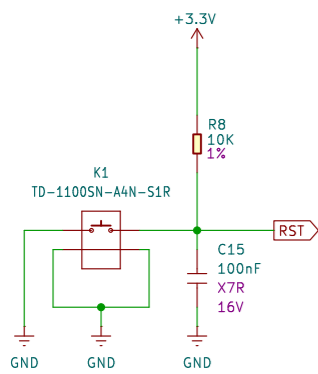


BAT ADC DETE

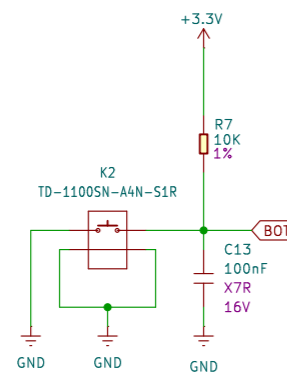


POWER SWITCH

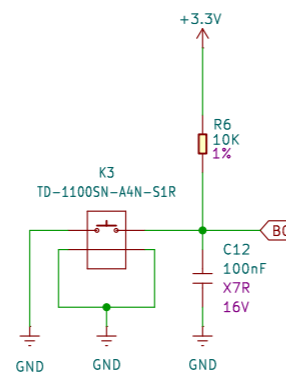
KEY



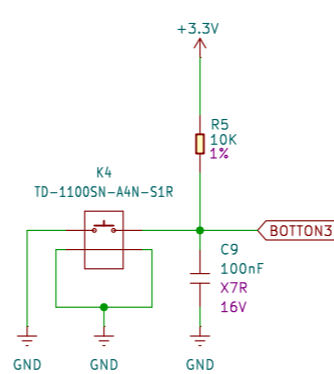
RESET



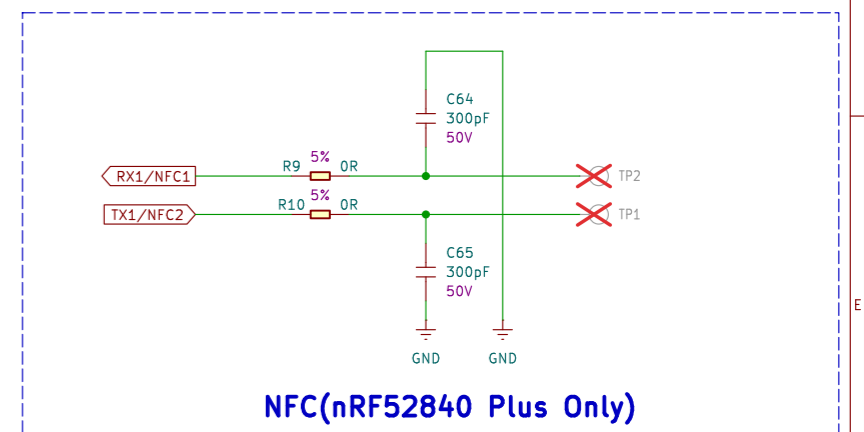
BUTTON1



BUTTON2

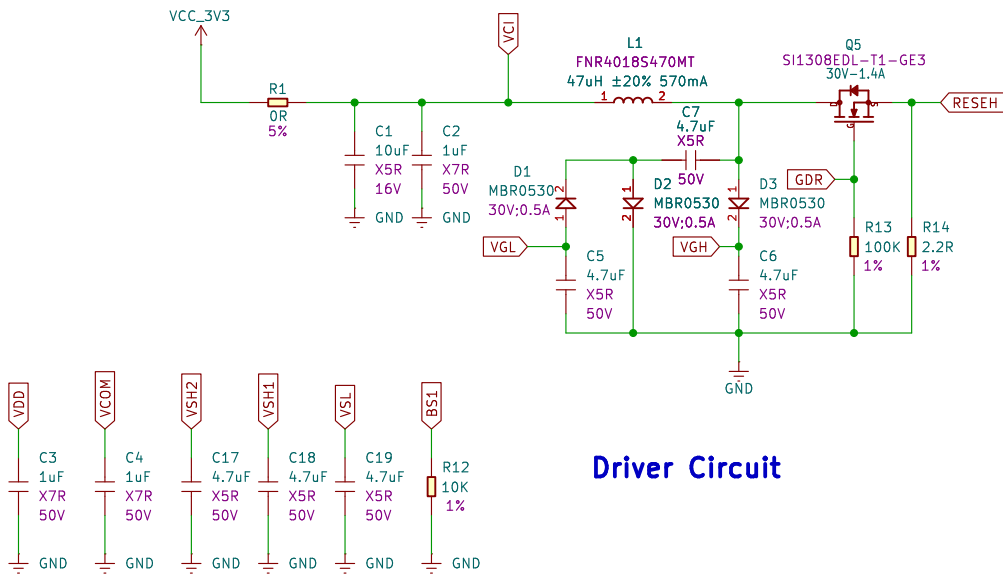


BUTTON3

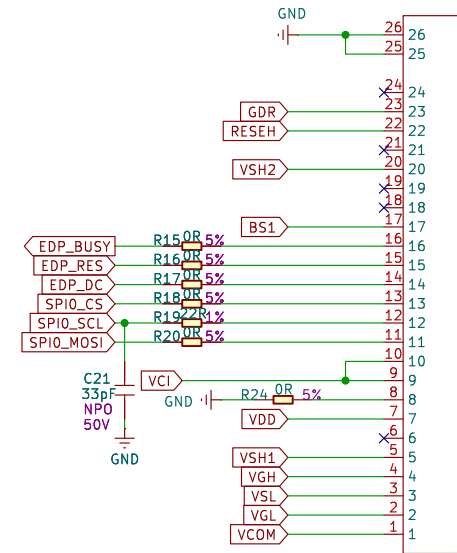


NFC(nRF52840 Plus Only)





Driver Circuit



24Pin

J1
FPC 24P TOP contact
24P, 1A

seeed studio

Seeed Studio

Sheet: /04 E-ink/

File: 04 E-ink.kicad_sch

Title: XIAO ePaper Display Board EE05

Size: A4

Date: 2025-12-17

Rev: v1.0

KiCad E.D.A. 9.0.7

Id: 5/5

CC BY-SA 4.0