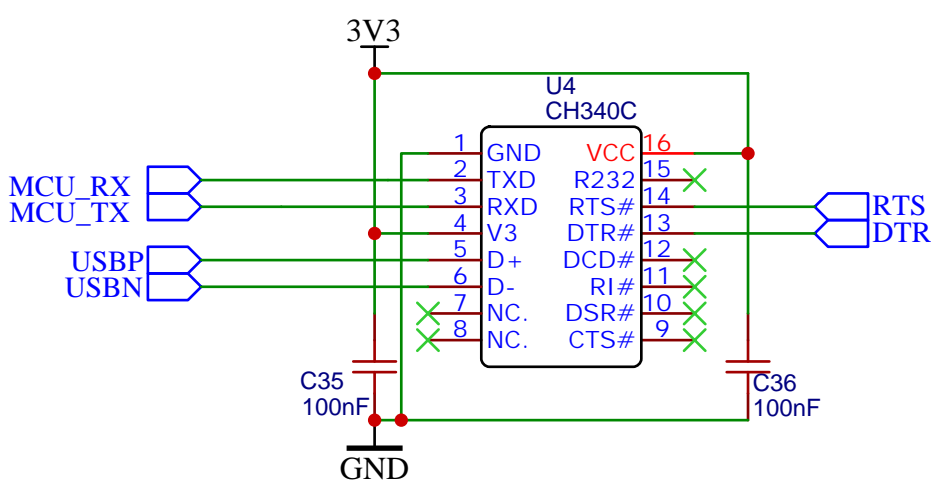
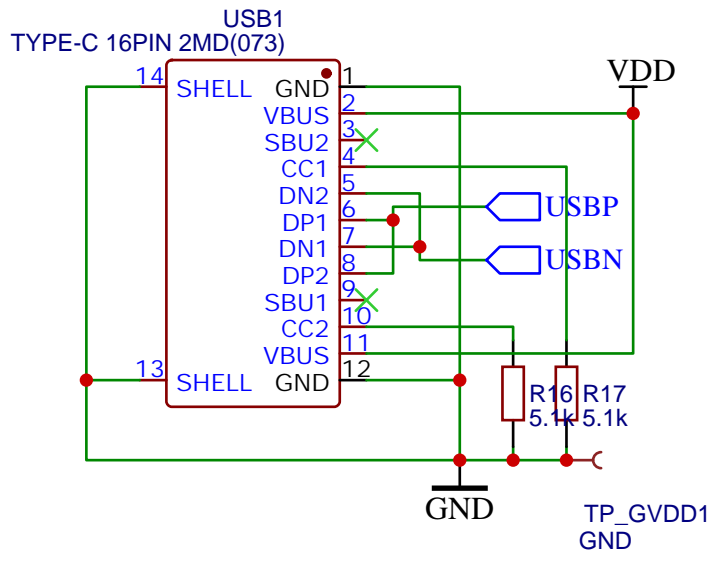
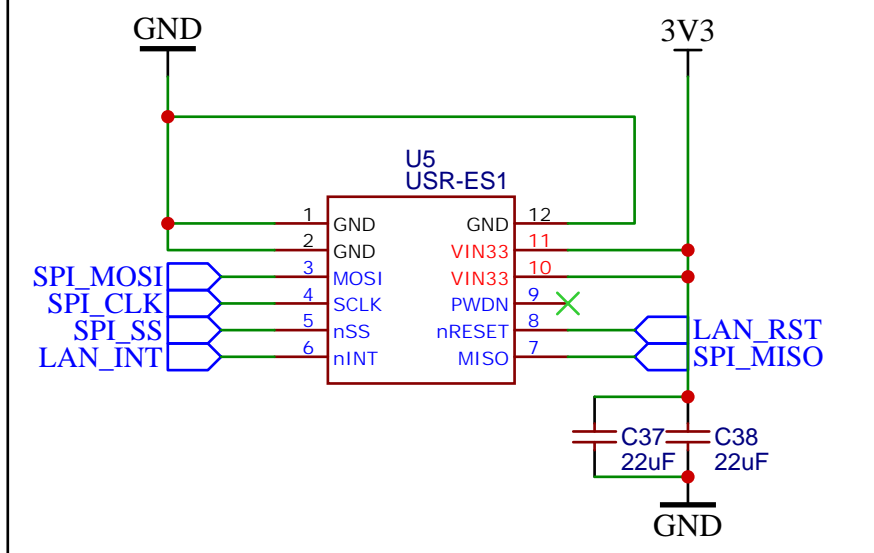


TITLE: Louder-ESP32		REV: H2
嘉立创EDA	Company: Sonocotta	Sheet: 1/2
	Date: 2024-10-03	Drawn By: andriy@sonocotta.com

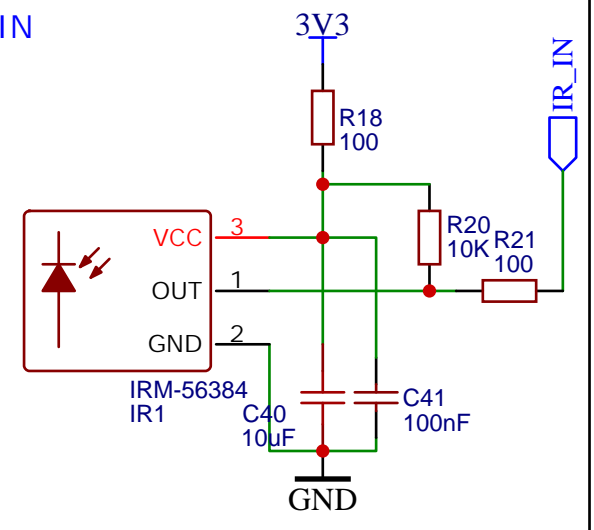
### USB-TO-SERIAL BRIDGE



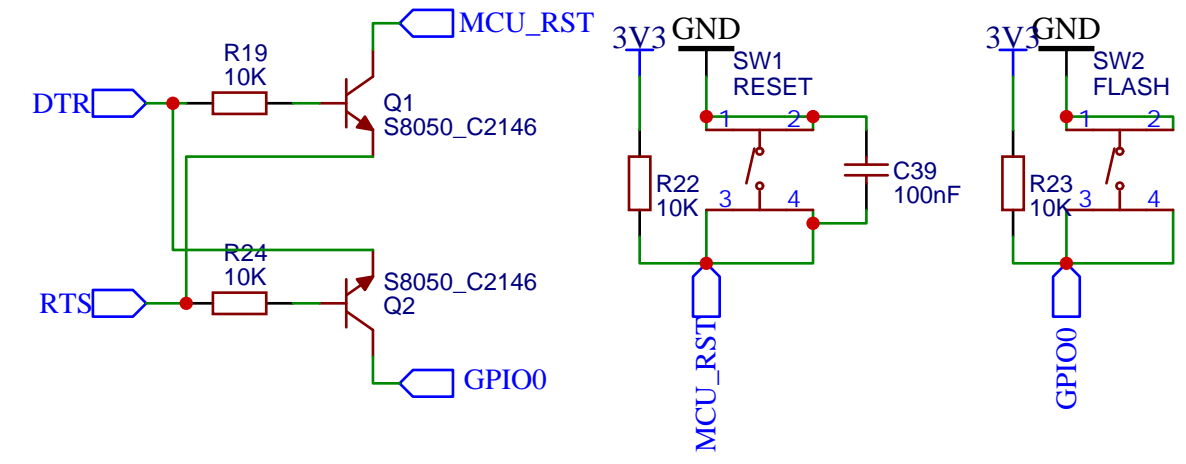
### USR-ES1 LAN module (W5500)



### IR IN



### AUTO-RESET CIRCUIT



TITLE: Louder-ESP32		REV: H2
EasyEDA	Company: Sonocotta	Sheet: 2/2
	Date: 2024-10-03	Drawn By: andriy@sonocotta.com