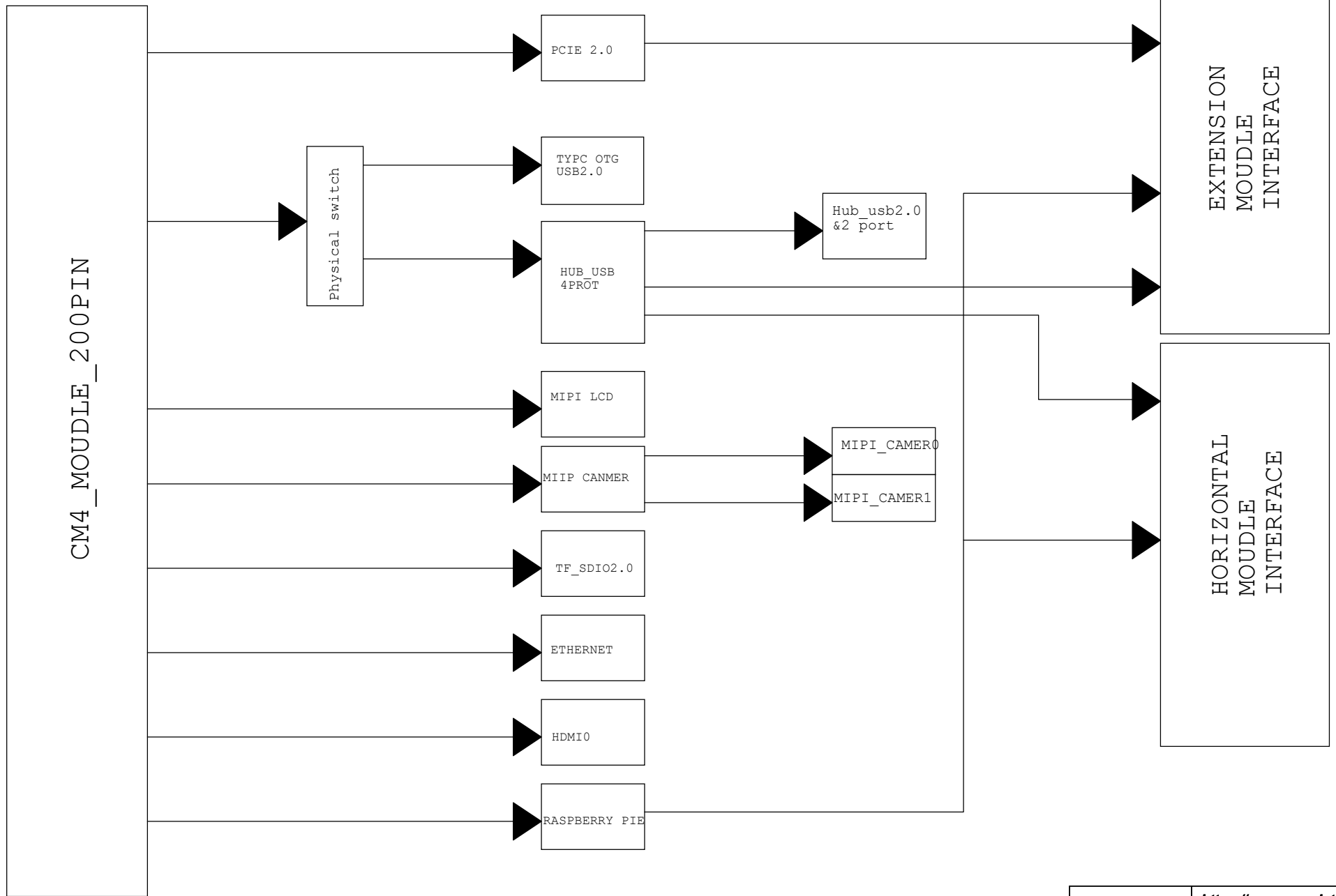


Schematic reTerminal

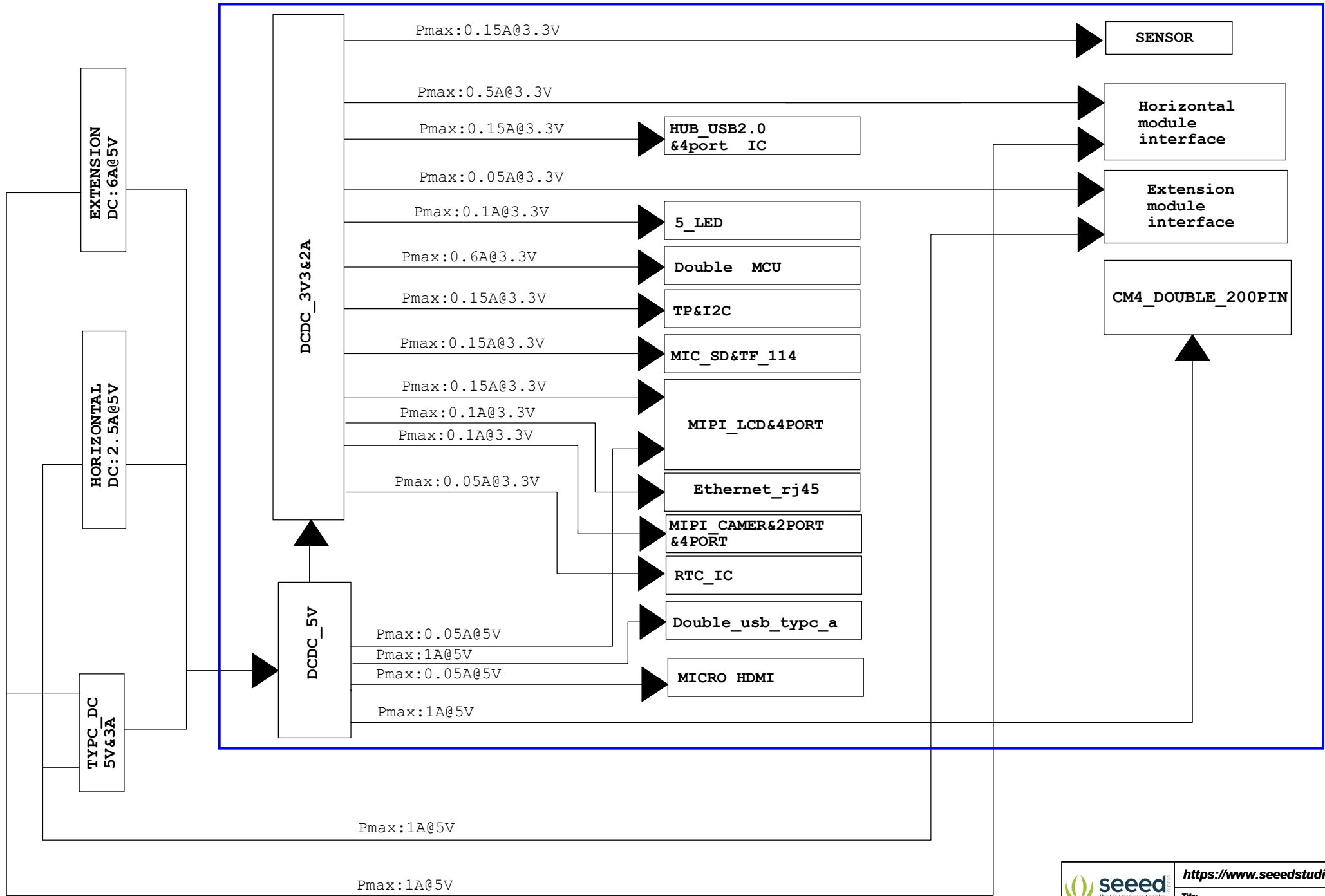
PAGE	PAGE NAME
01	Title / Revision History
02	BlockDiagram
03	Power Block Diagram
04	Typc_usb/Dcdc_3v3
05	Btb-200pin
06	Btb-100pin
07	Usb-hub/Usb_host double
08	Sdio-tf/Ethernet
09	Micro HDMI
10	Mipi_dsi_lcd/Tp/Mcu
11	Camer-dsi
12	Sensor
13	RTC
14	Mcu1_Buzzer
15	LED_Button

Revision History

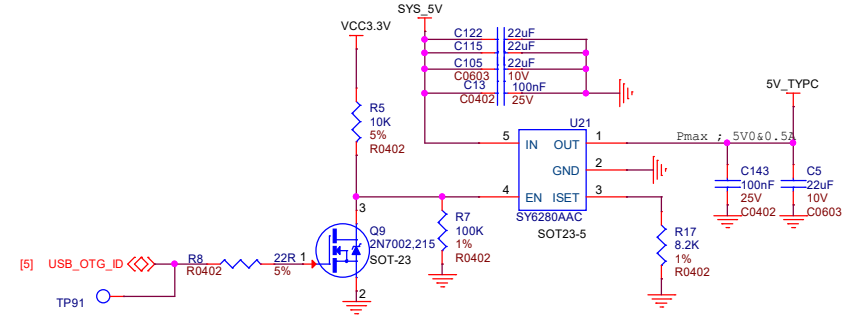
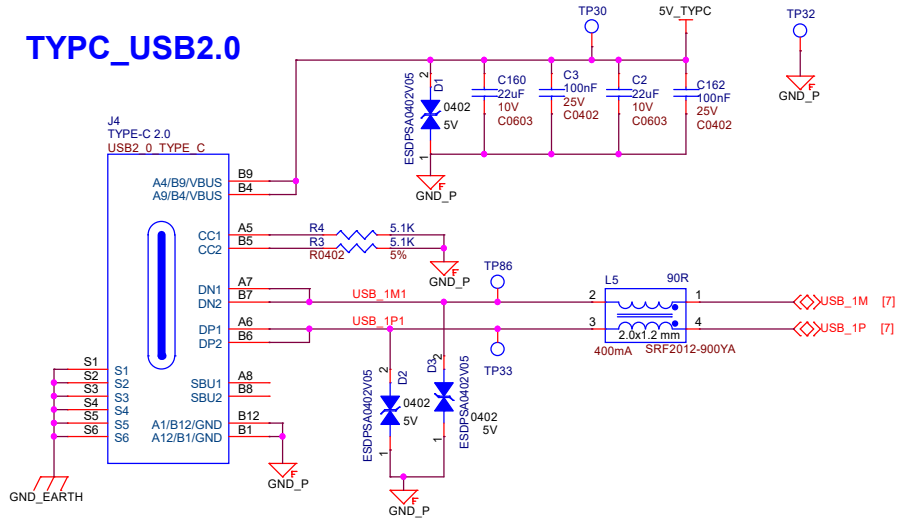
DATE	REVISION	DESCRIPTION
2021/01/19	v1.0	
2021/04/19	v1.1	
2021/04/25	v1.2	
2021/05/22	v1.3	



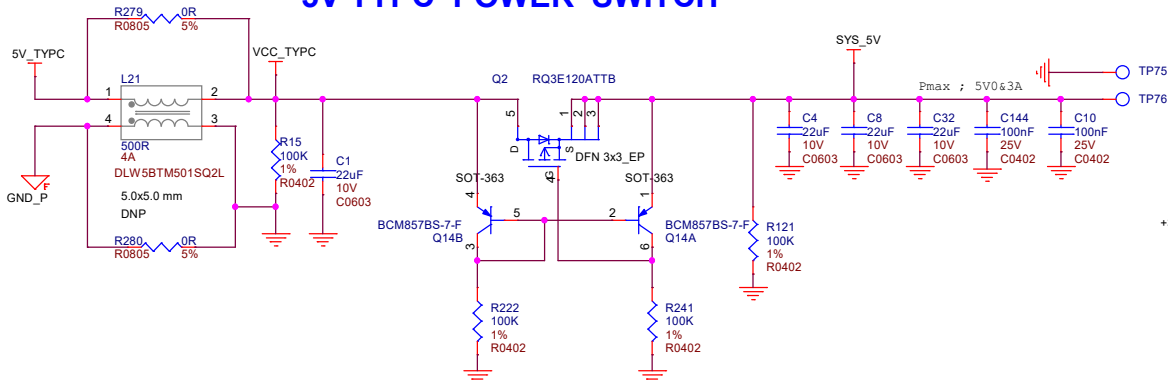
reTerminal



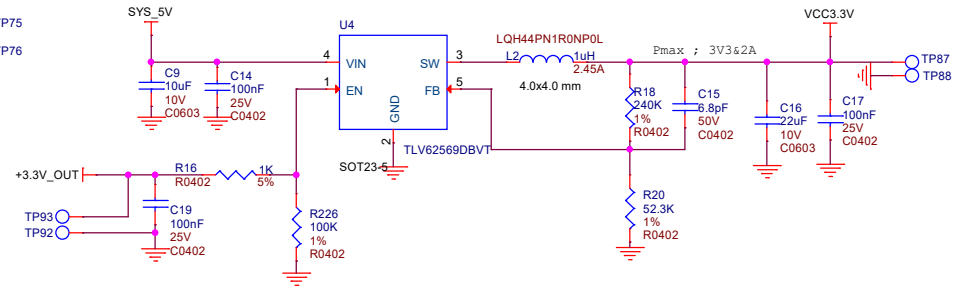
TYPC_USB2.0



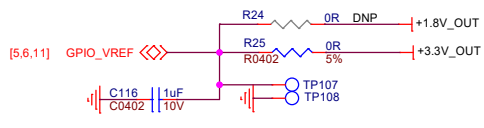
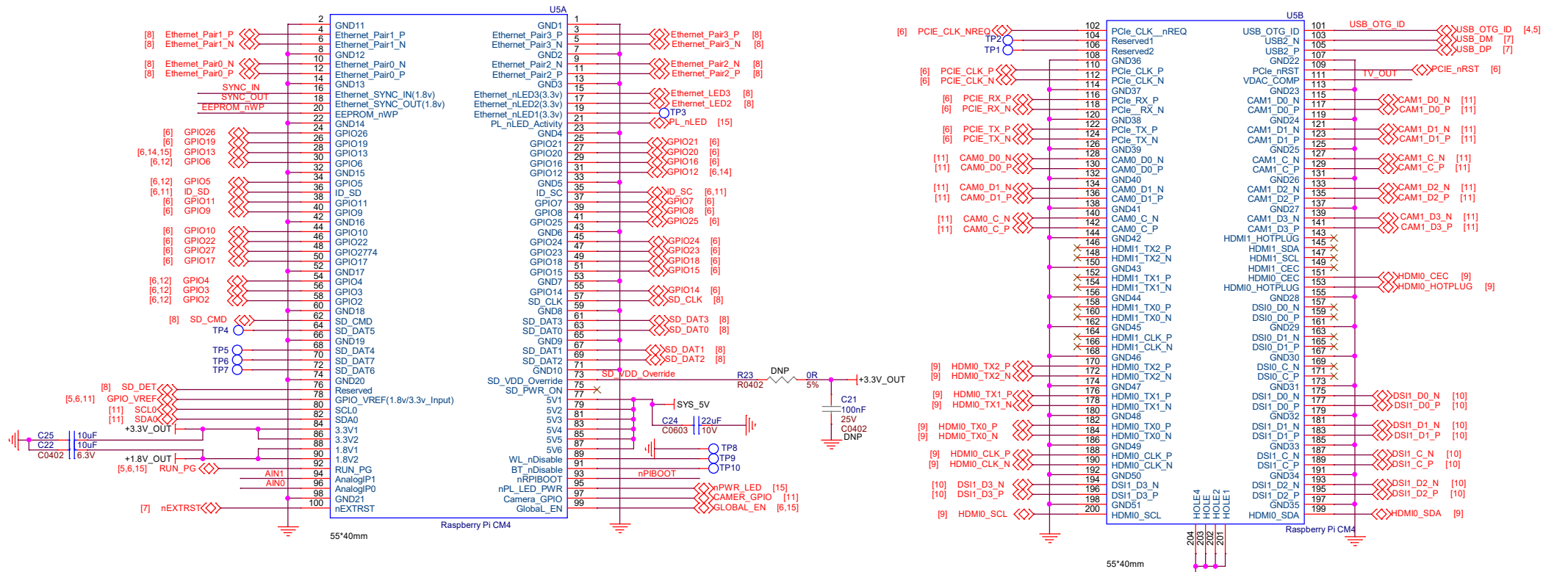
5V TYPC POWER SWITCH



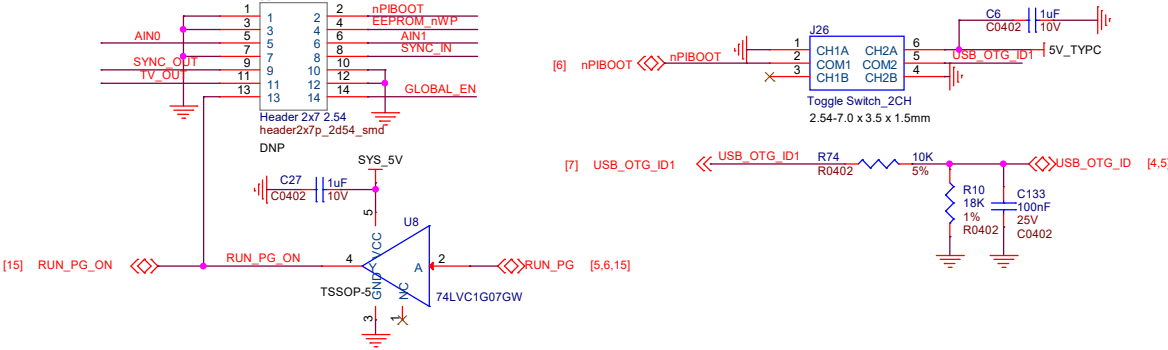
3V3 DCDC



CM4 core board interface 200PIN

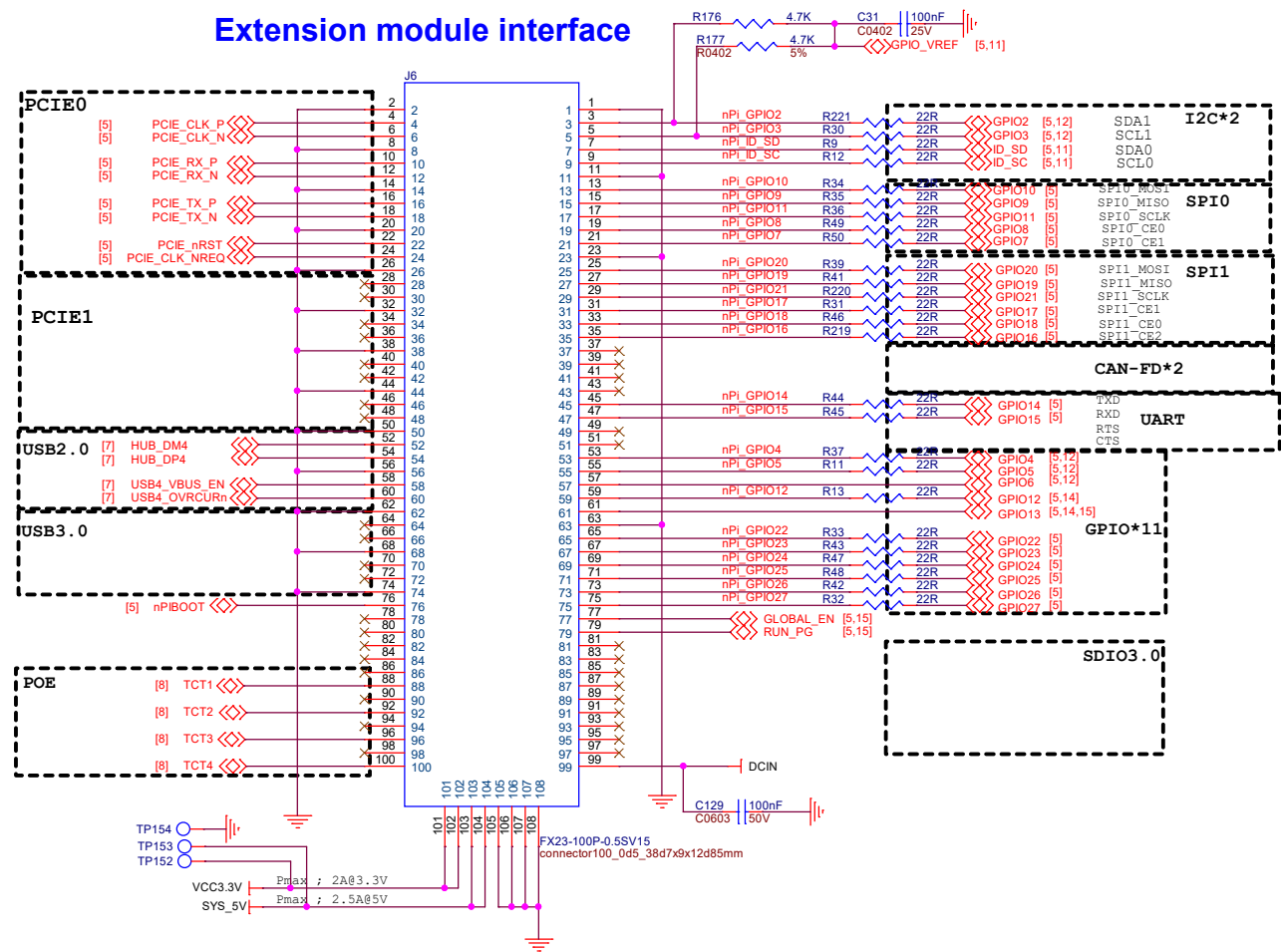


USB UBOOT KEY

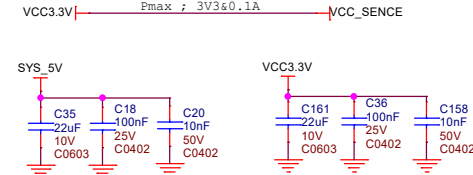
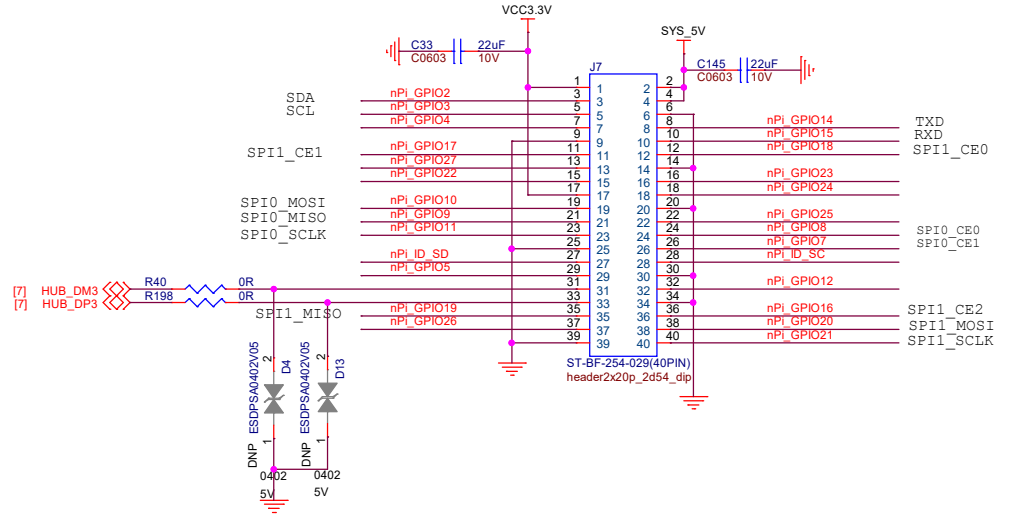


seeed The IoT Hardware Enabler		https://www.seeedstudio.com	
Title: reTerminal			
Size: A3	Document Number: 05 Btb-200pin	Rev: v1.3	
Draw By: Yehu.He	Date: Friday, July 09, 2021	Sheet: 5 of 15	

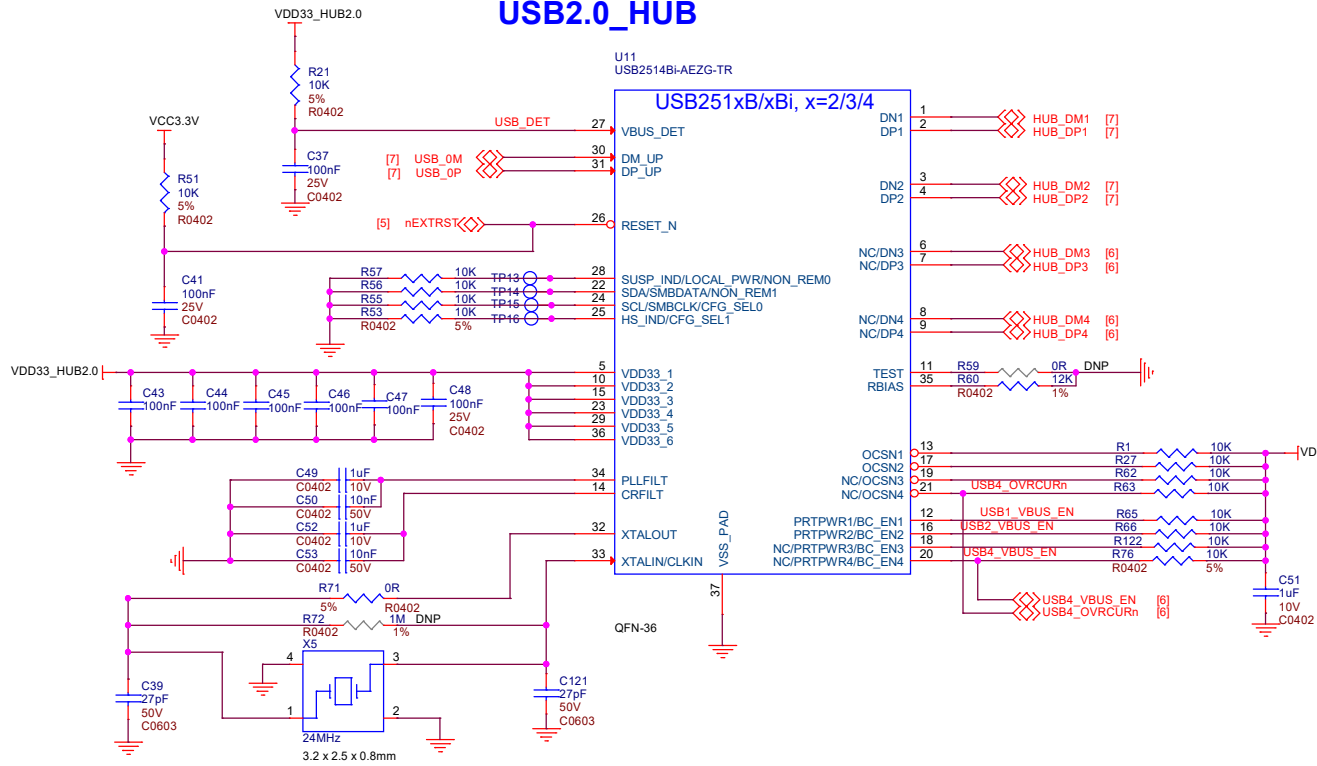
Extension module interface



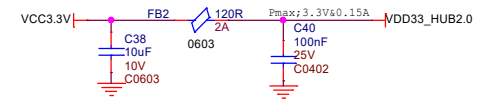
Horizontal module interface



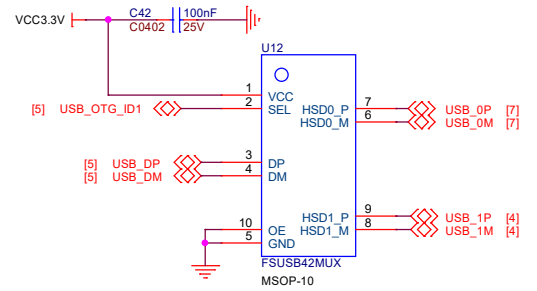
USB2.0_HUB



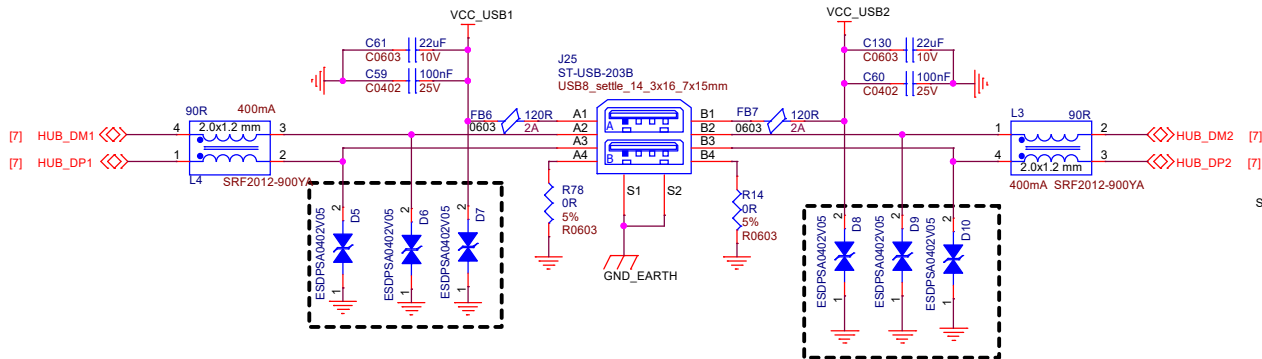
USB_HUB POWER



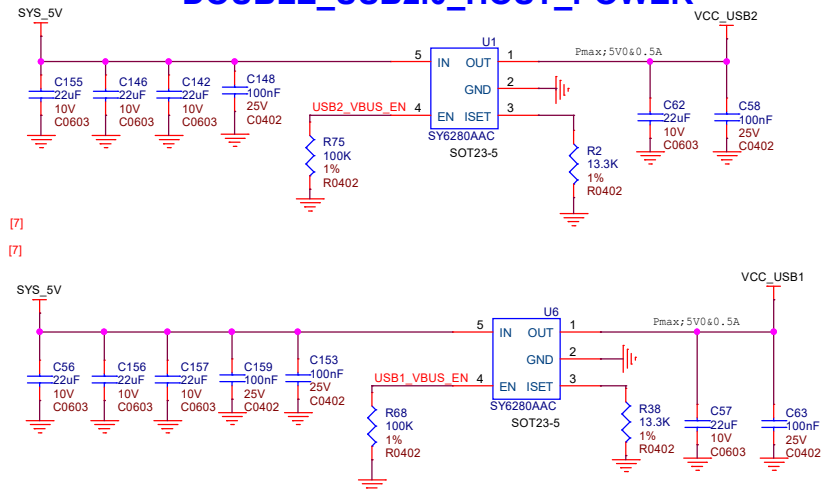
USB 2.0 physical toggle switch



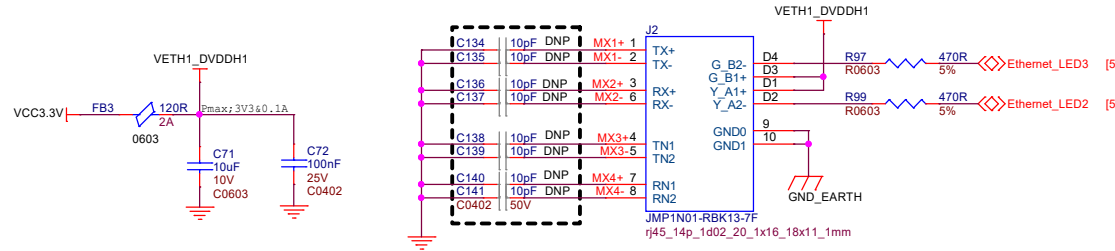
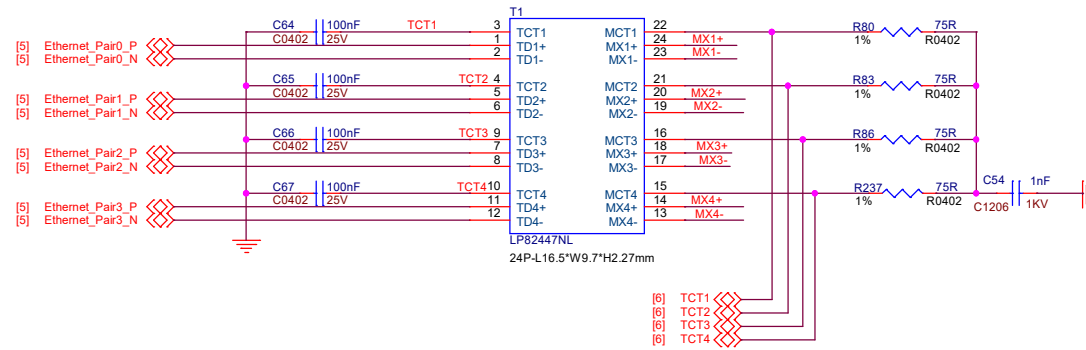
DOUBLE_USB2.0_HOST



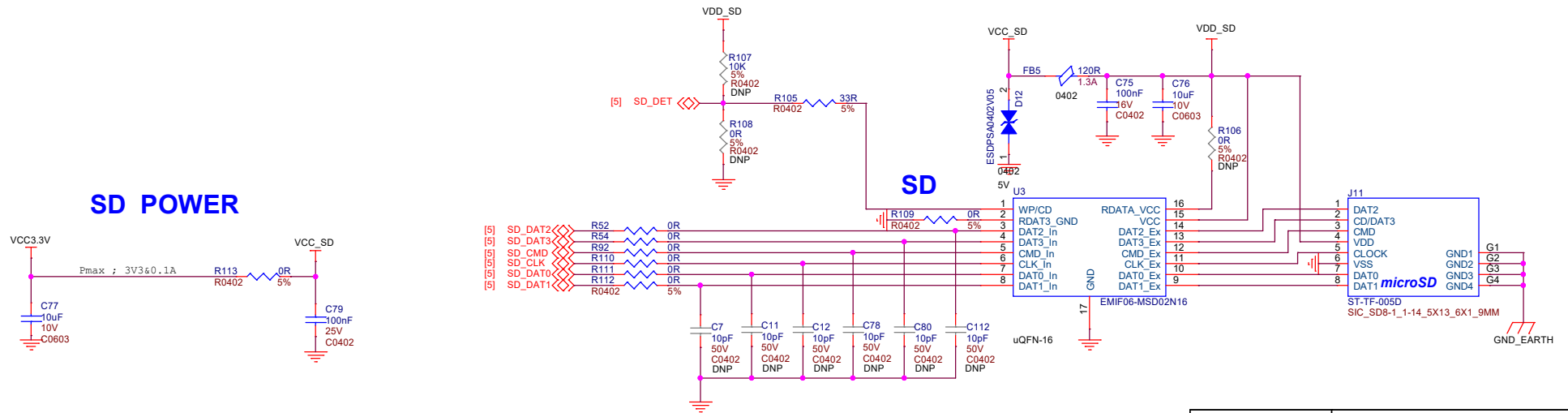
DOUBLE_USB2.0_HOST_POWER



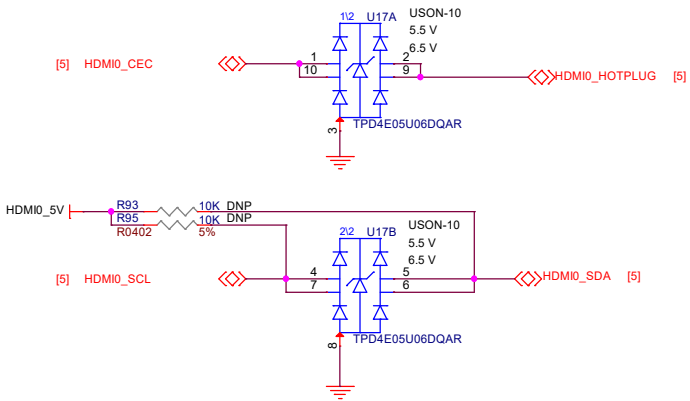
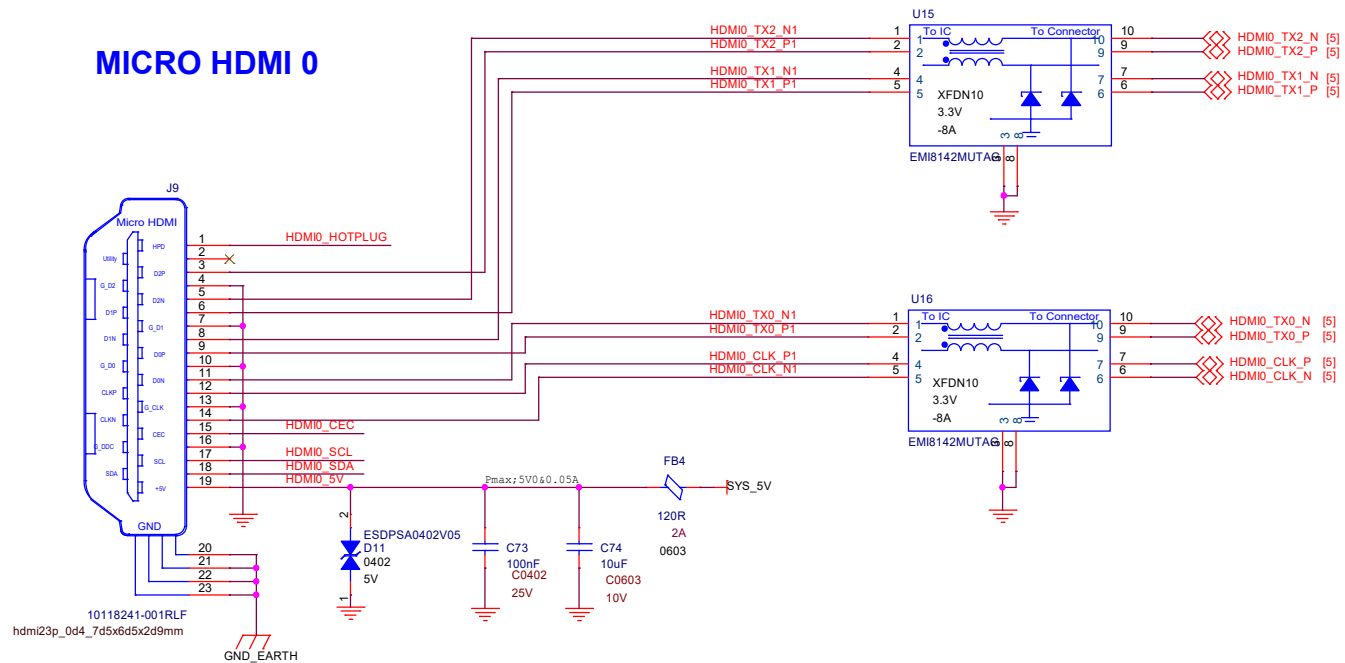
Ethernet0



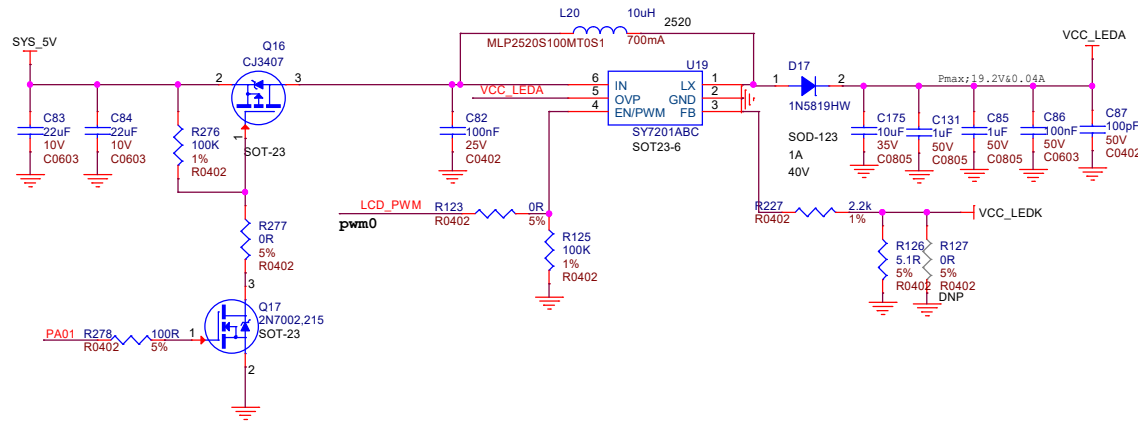
SD POWER



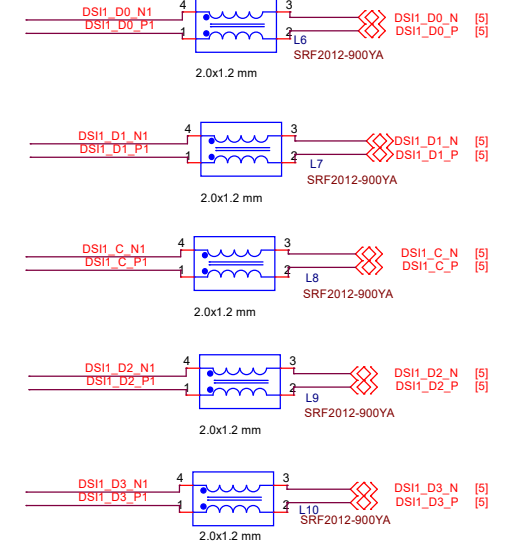
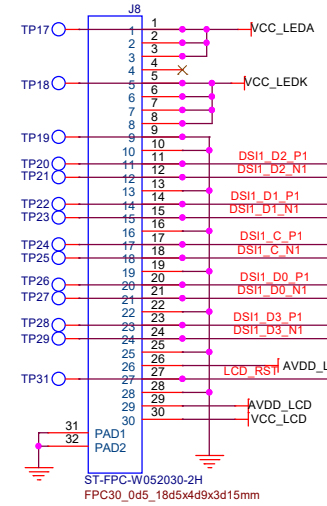
MICRO HDMI 0



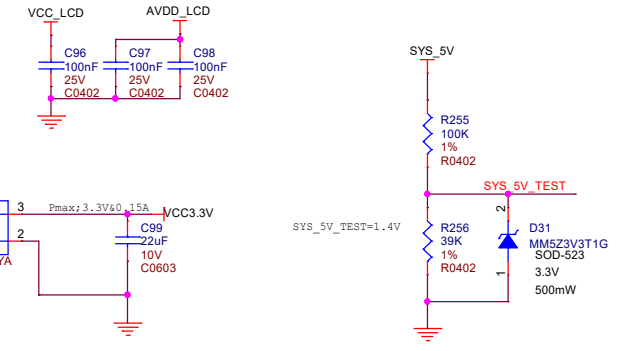
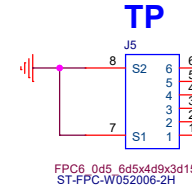
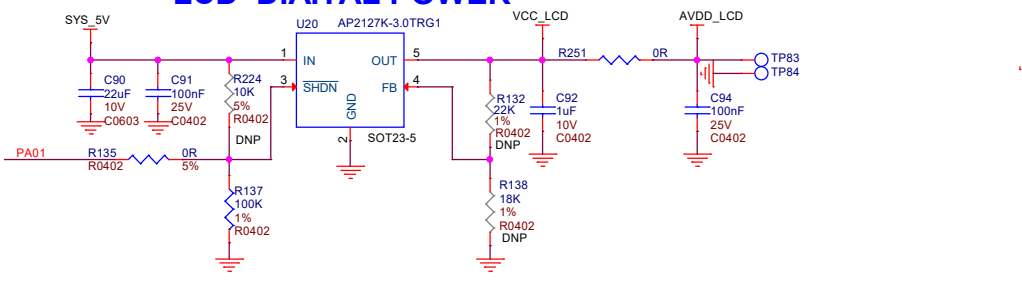
BACKLIGHT POWER OF LCD



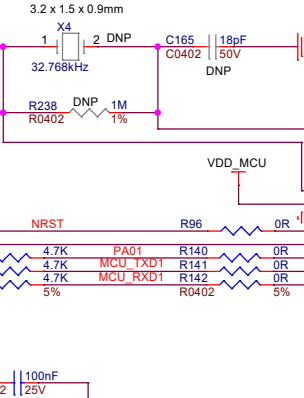
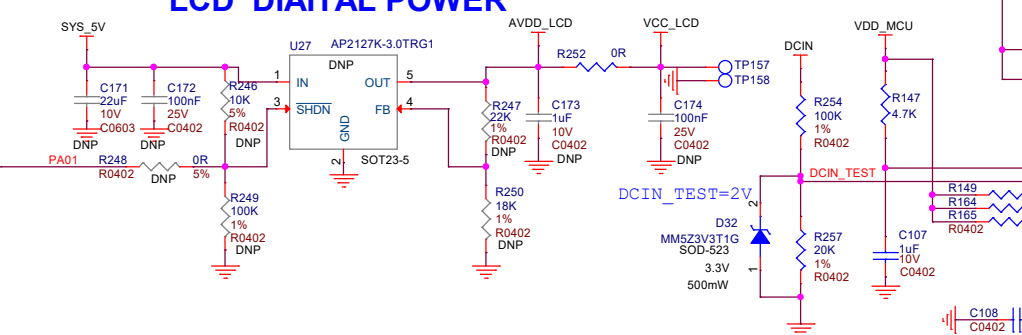
DSI0_LCD



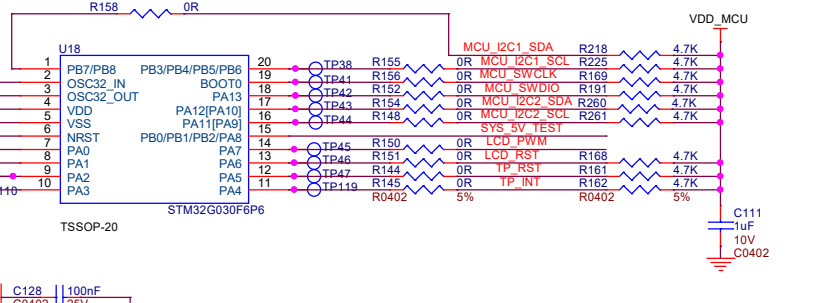
LCD DIATAL POWER



LCD DIATAL POWER



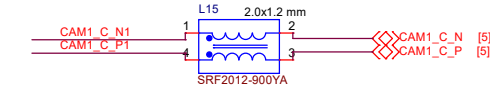
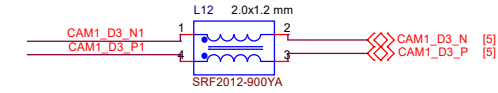
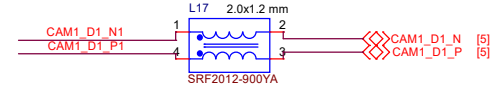
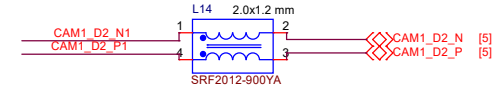
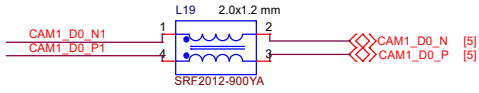
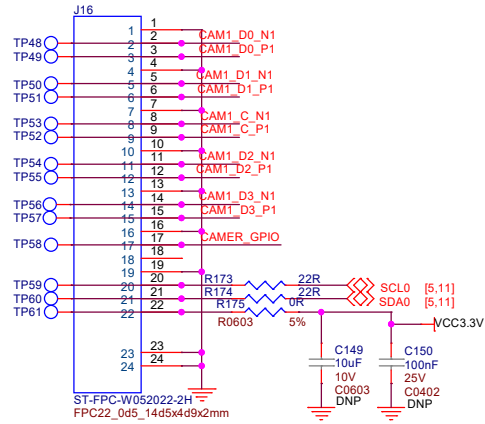
MCU0



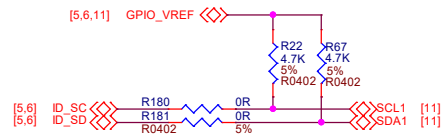
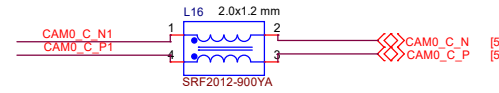
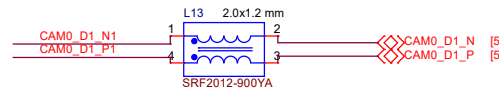
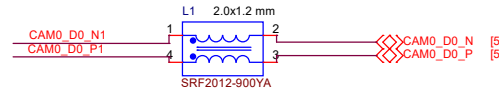
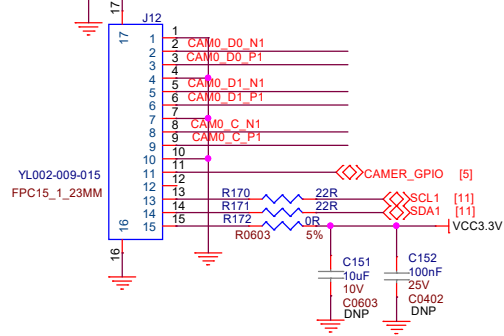
MCU POWER



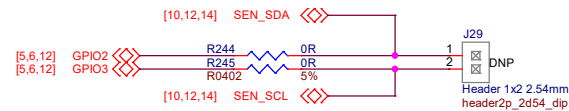
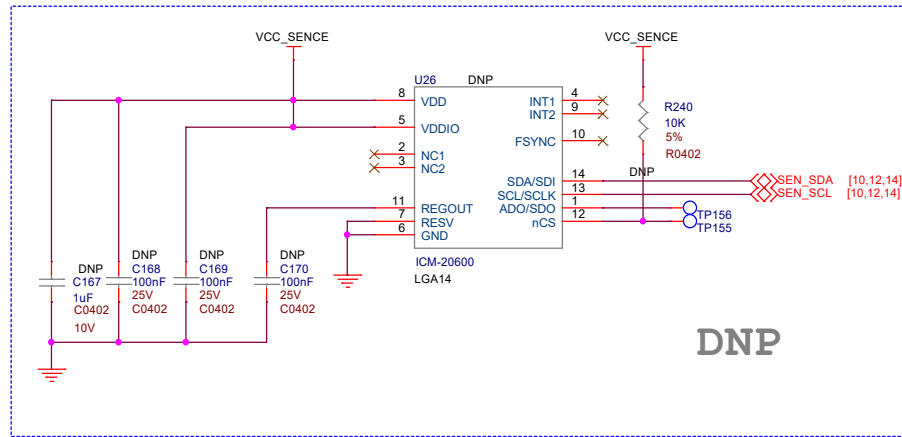
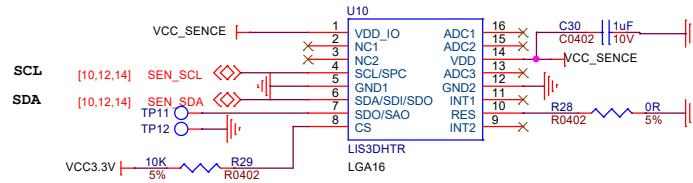
CSI1_CAMER



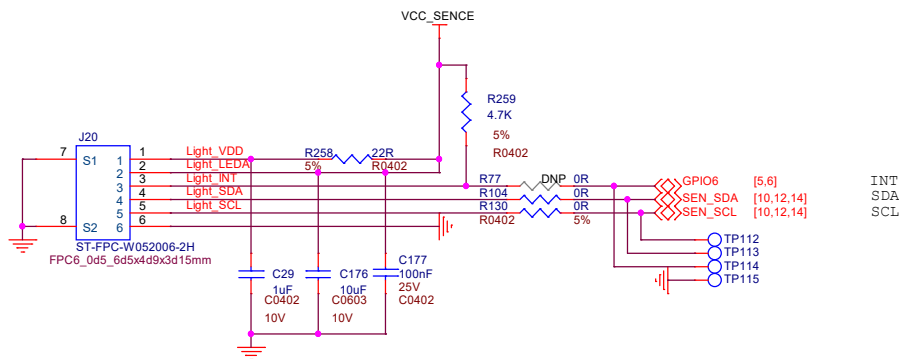
CSI0_CAMER



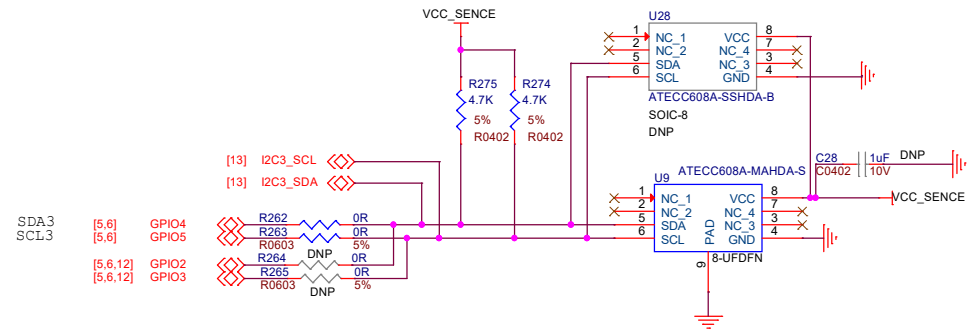
accelerometer Sensor



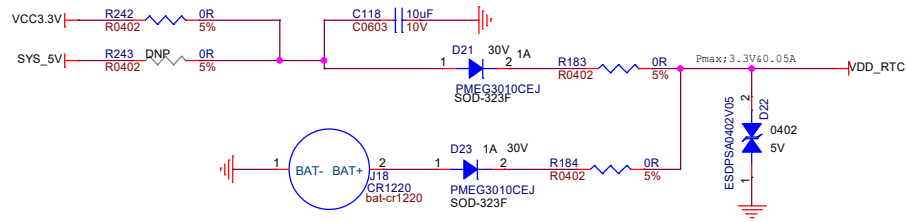
Light Sensor



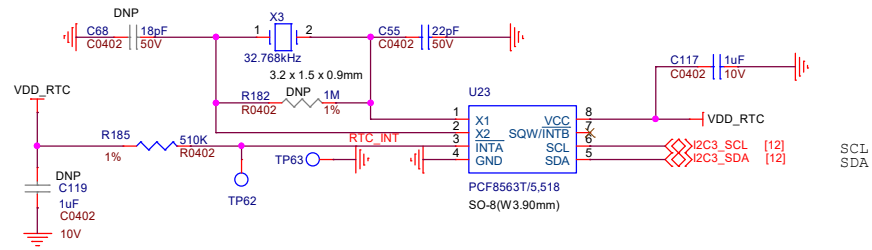
encryption Sensor

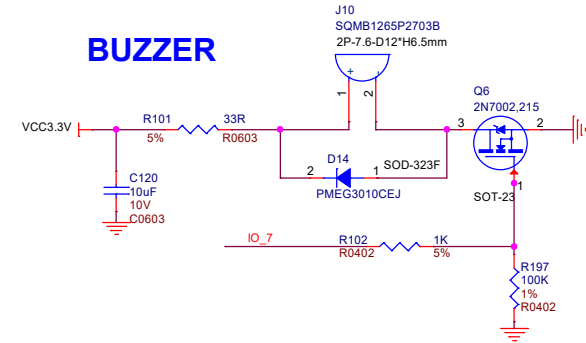
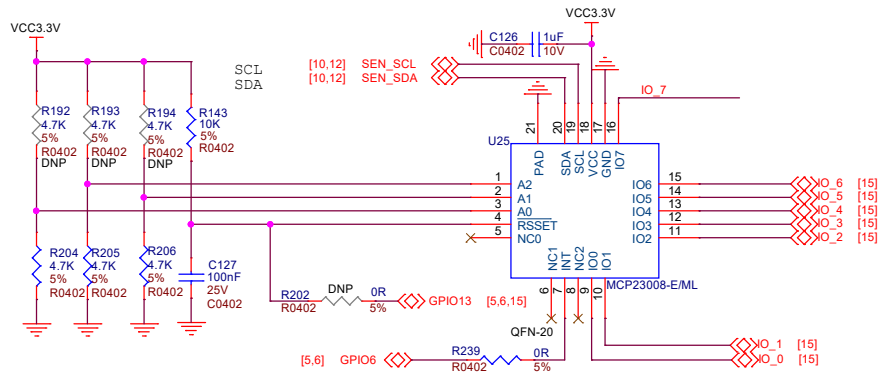


RTC_POWER

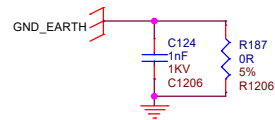
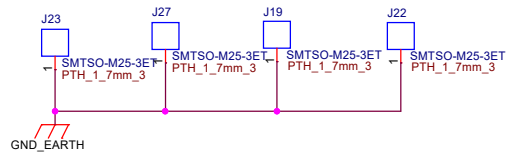


RTC IC

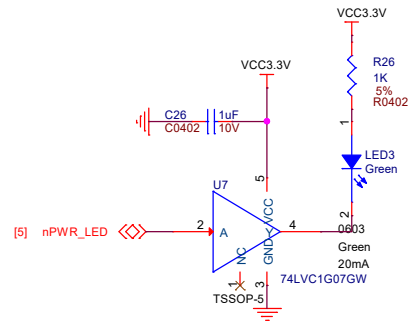
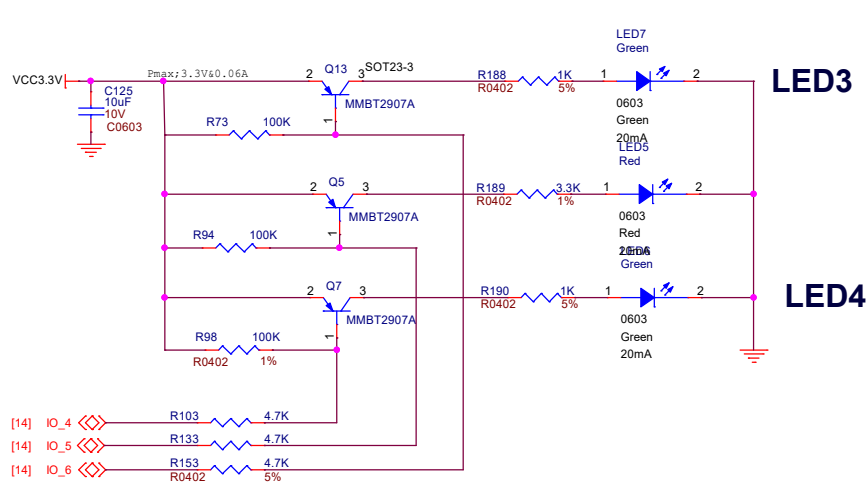




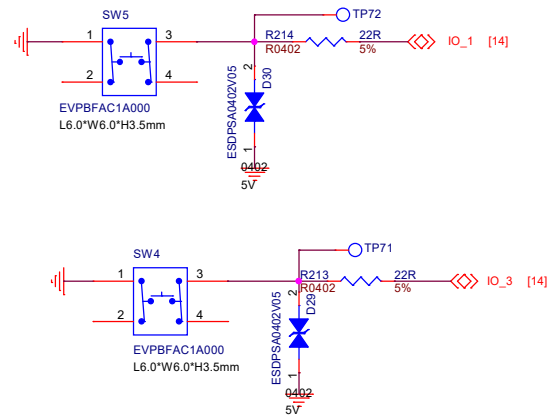
HOLES



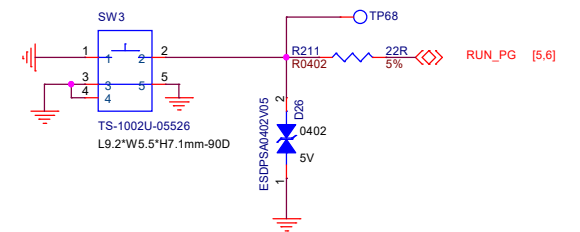
USER LEDS



USER KERS



Reset KEY



POWER_ON KEY

