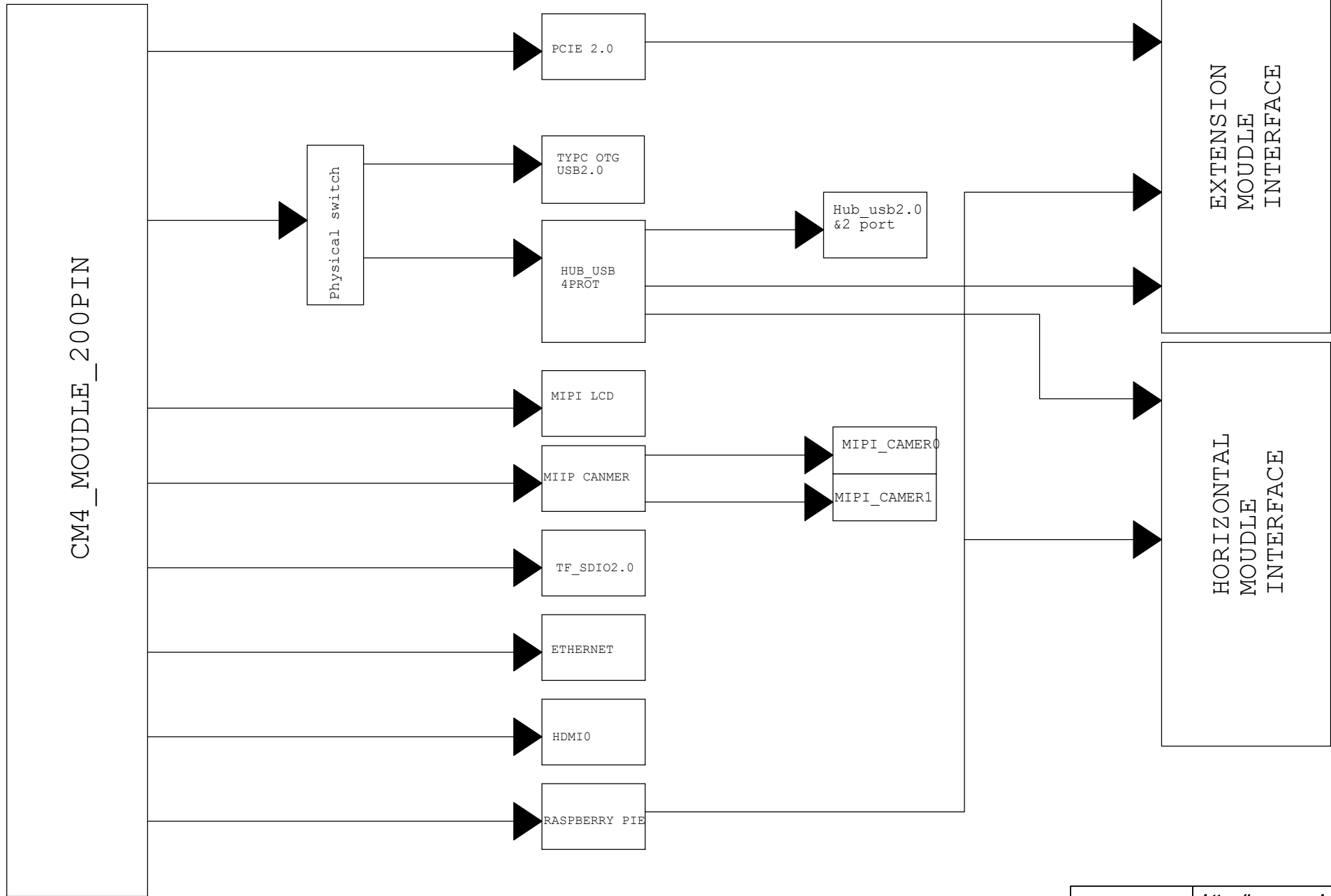


# Schematic reTerminal

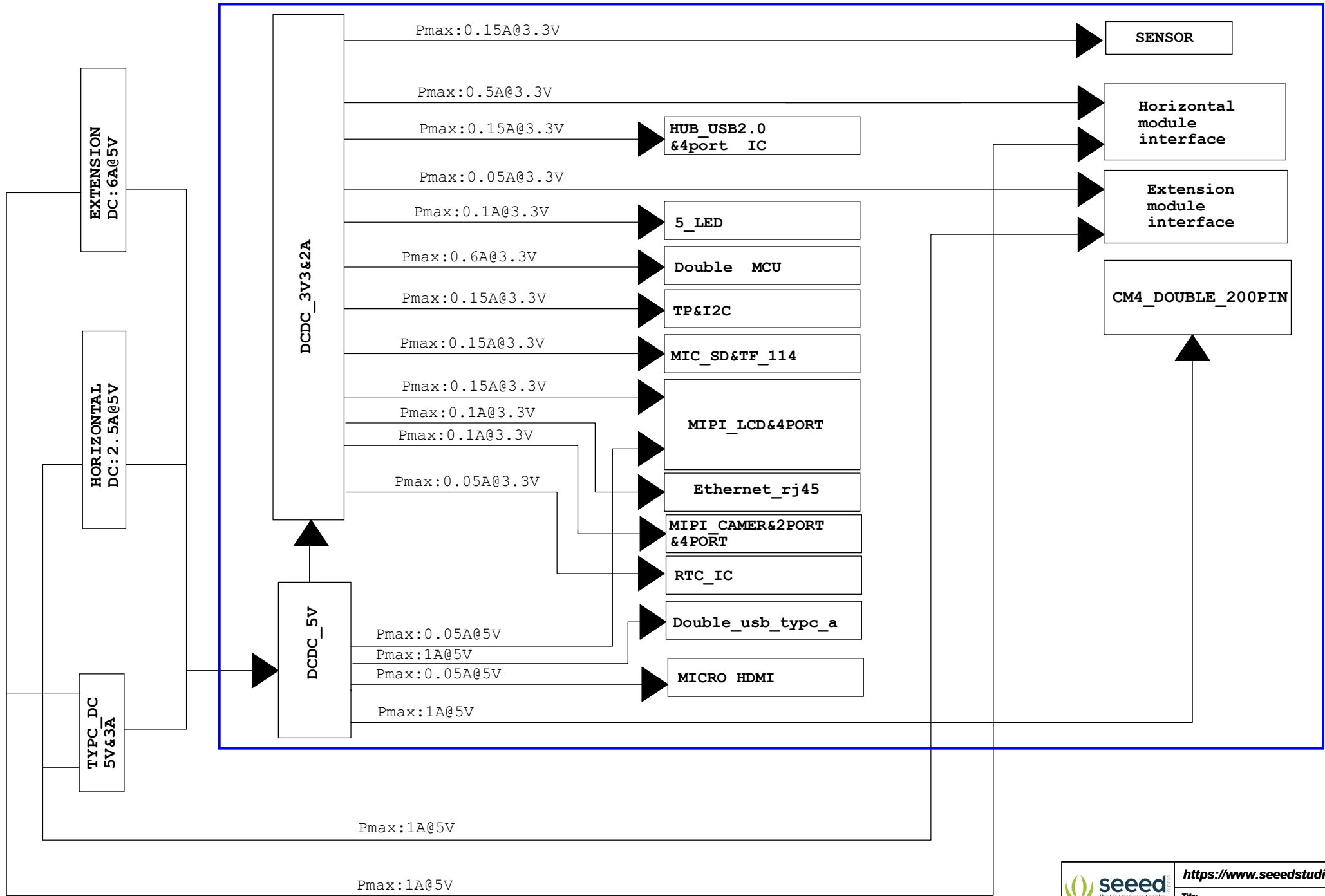
| PAGE | PAGE NAME                |
|------|--------------------------|
| 01   | Title / Revision History |
| 02   | BlockDiagram             |
| 03   | Power Block Diagram      |
| 04   | Typc_usb/Dcdc_3v3        |
| 05   | Btb-200pin               |
| 06   | Btb-100pin               |
| 07   | Usb-hub/Usb_host double  |
| 08   | Sdio-tf/Ethernet         |
| 09   | Micro HDMI               |
| 10   | Mipi_dsi_lcd/Tp/Mcu      |
| 11   | Camer-dsi                |
| 12   | Sensor                   |
| 13   | RTC                      |
| 14   | Mcu1_Buzzer              |
| 15   | LED_Button               |

# Revision History

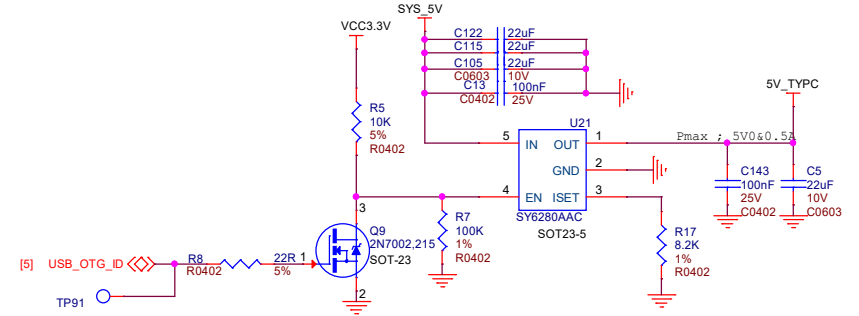
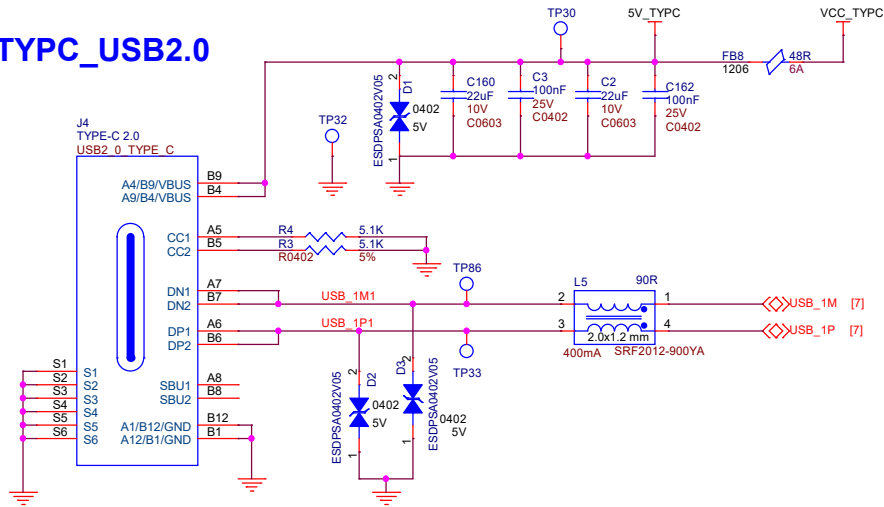
| DATE       | REVISION | DESCRIPTION   |
|------------|----------|---------------|
| 2021/01/19 | v1.0     | First version |
| 2021/04/19 | v1.1     |               |
| 2021/04/25 | v1.2     |               |
| 2021/05/22 | v1.3     |               |
| 2021/06/18 | v1.4     |               |
| 2021/06/29 | v1.5     |               |
| 2021/07/26 | v1.6     |               |



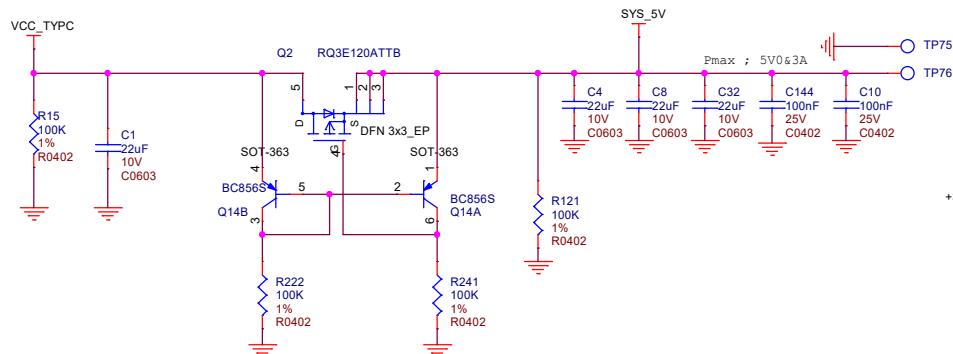
# reTerminal



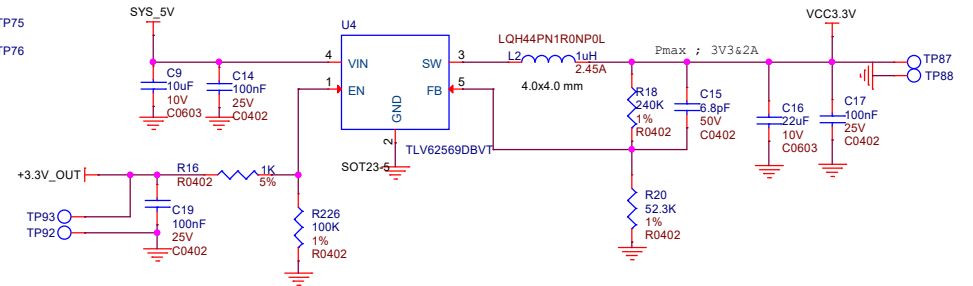
## TYPC\_USB2.0



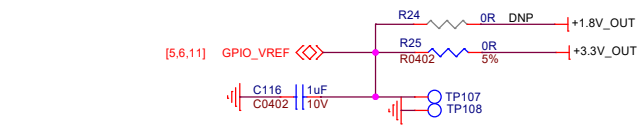
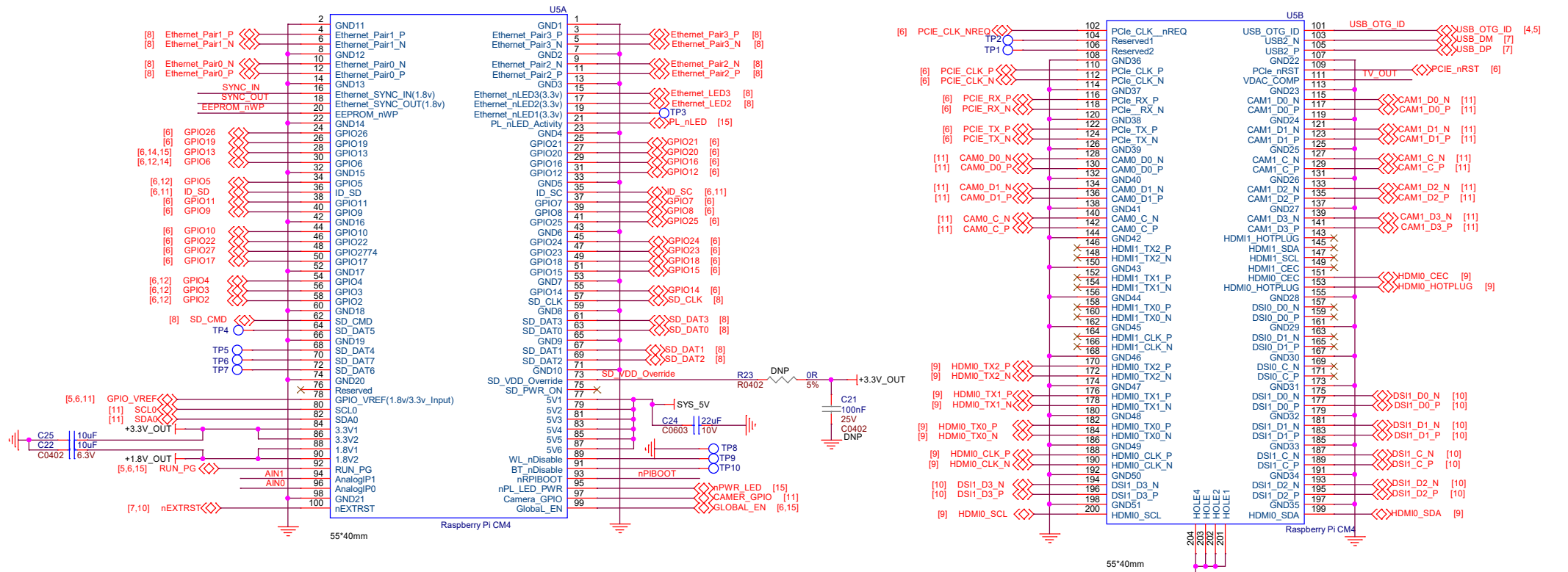
## 5V TYPC POWER SWITCH



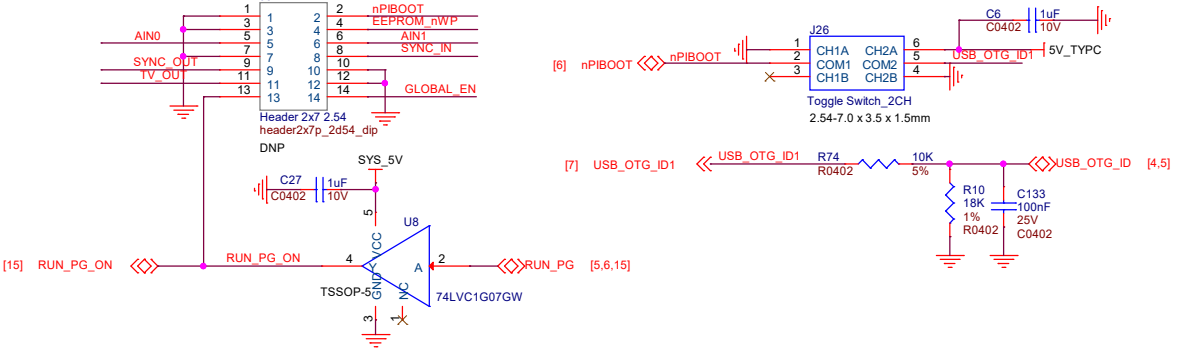
## 3V3 DCDC



# CM4 core board interface 200PIN

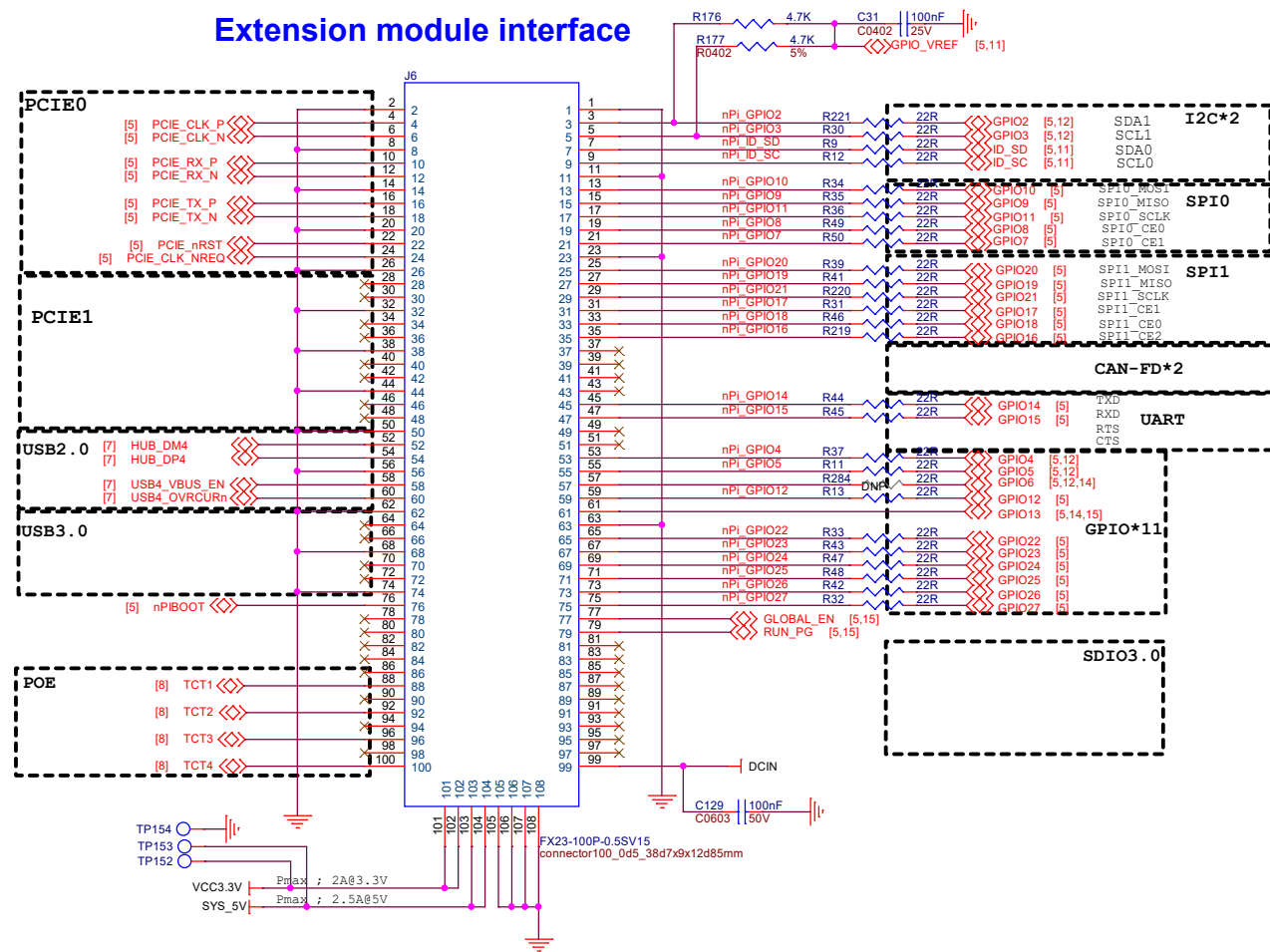


## USB UBOOT KEY

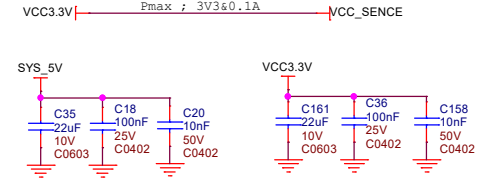
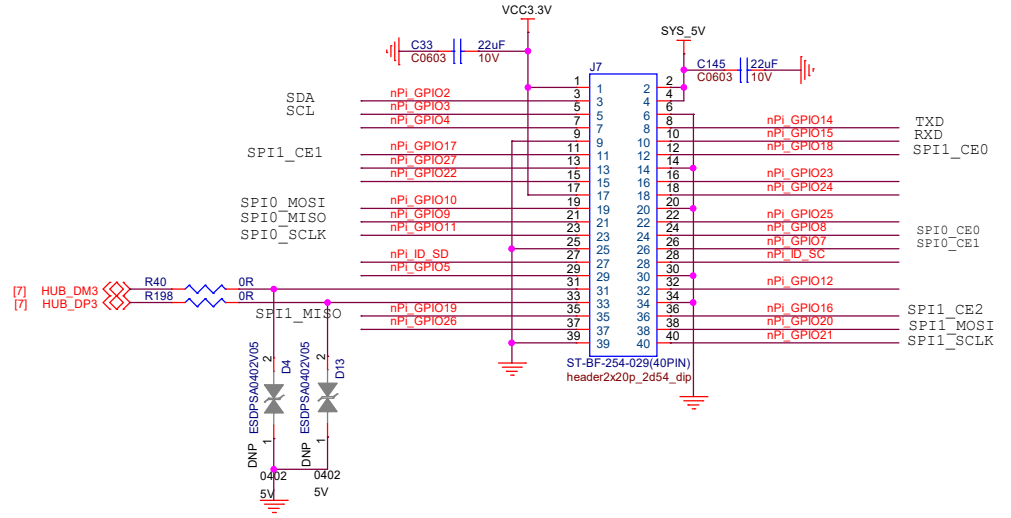


|                          |                                       |   |  |
|--------------------------|---------------------------------------|---|--|
|                          |                                       | <a href="https://www.seeedstudio.com">https://www.seeedstudio.com</a> |  |
| The IoT Hardware Enabler |                                       | Title: <b>reTerminal</b>  |  |
| Size: <b>A3</b>          | Document Number: <b>05 Btb-200pin</b> | Rev: <b>v1.4</b>  |  |
| Draw By: <b>Yehu.He</b>  | Date: <b>Friday, July 30, 2021</b>    | Sheet: <b>5 of 15</b>   |  |

## Extension module interface

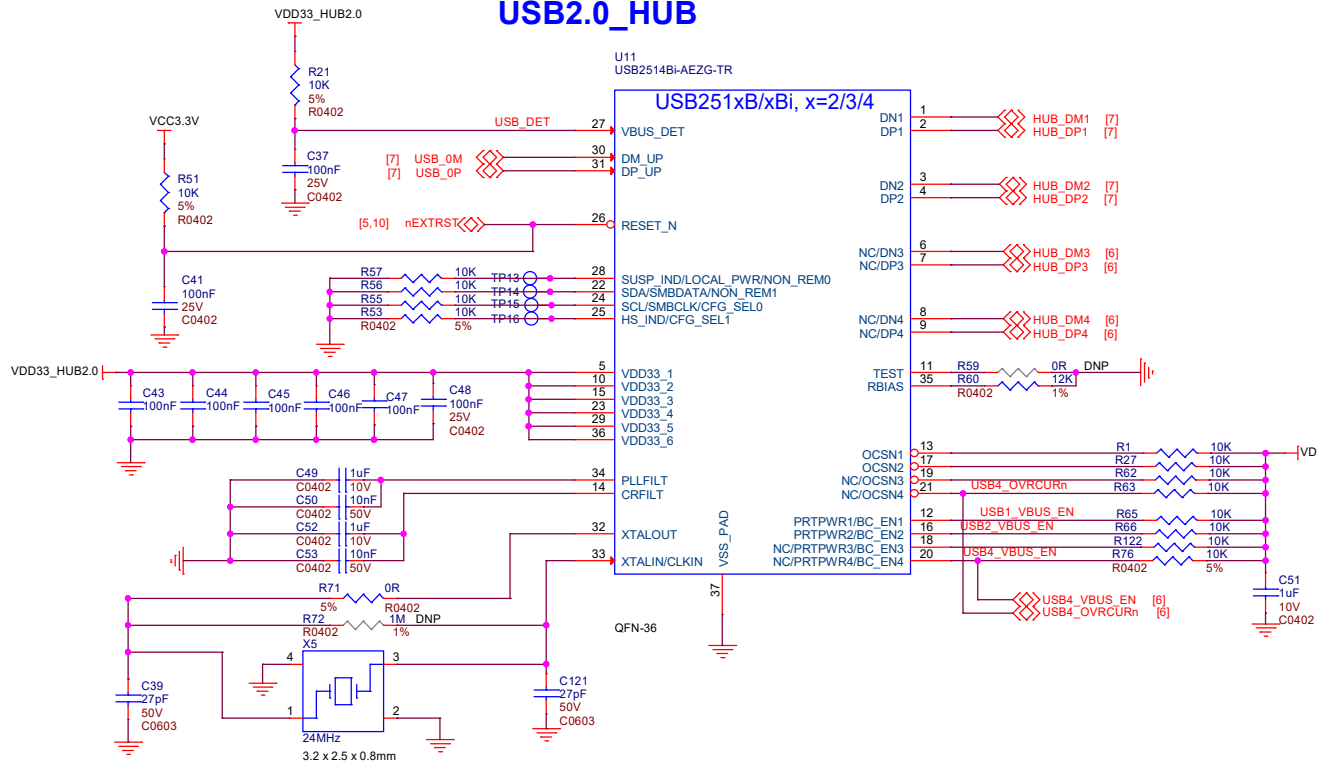


## Horizontal module interface

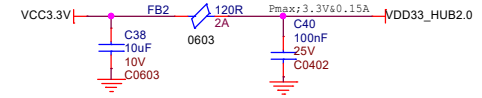


|                              |                                       |   |  |
|------------------------------|---------------------------------------|---|--|
| <br>The IoT Hardware Enabler |                                       | <a href="https://www.seeedstudio.com">https://www.seeedstudio.com</a> |  |
|                              |                                       | Title: <b>reTerminal</b>  |  |
| Size: <b>A3</b>              | Document Number: <b>06 Btb-100pin</b> | Rev: <b>v1.4</b>  |  |
| Draw By: <b>Yehu.He</b>      | Date: <b>Monday, July 26, 2021</b>    | Sheet <b>6</b> of <b>15</b>   |  |

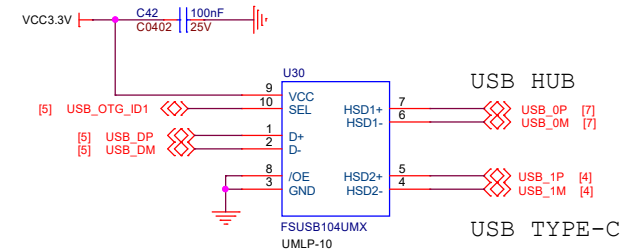
## USB2.0\_HUB



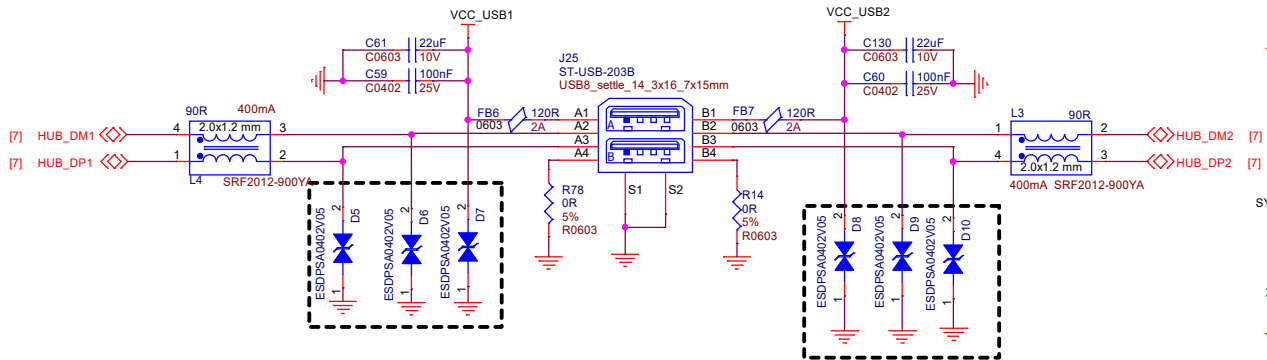
## USB\_HUB POWER



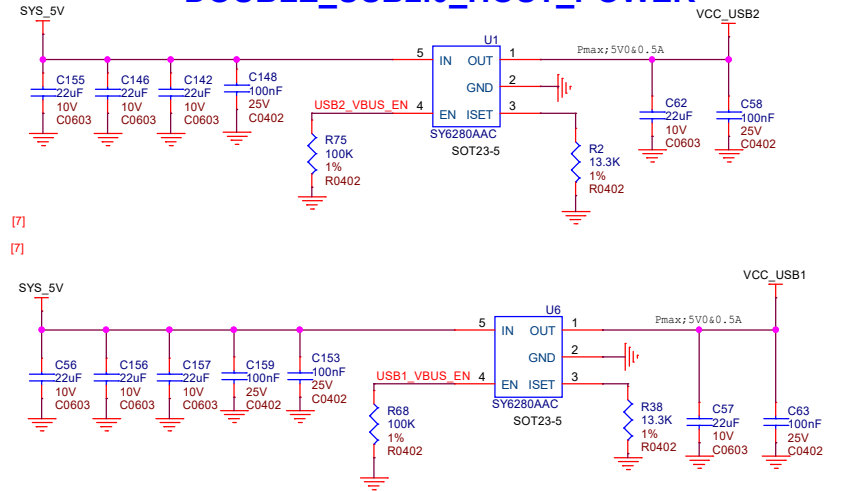
## USB 2.0 physical toggle switch



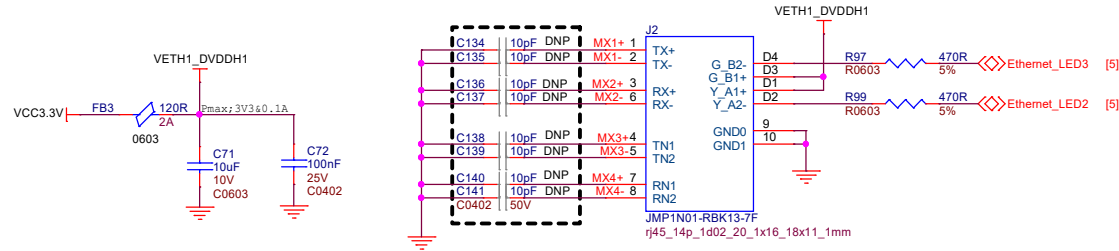
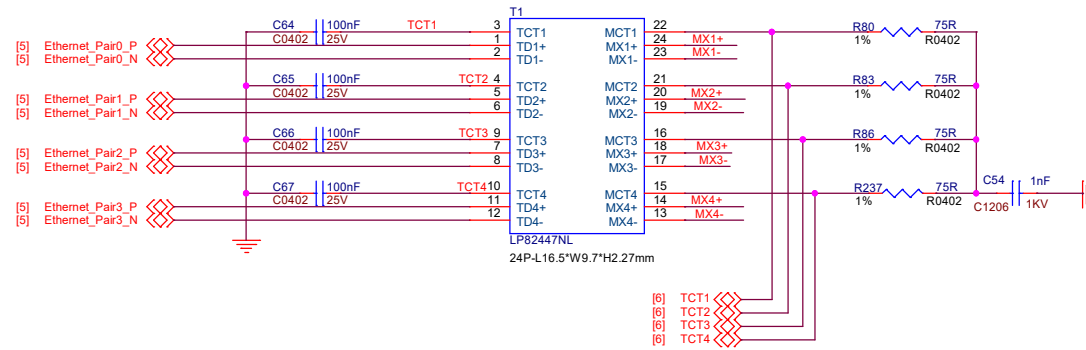
## DOUBLE\_USB2.0\_HOST



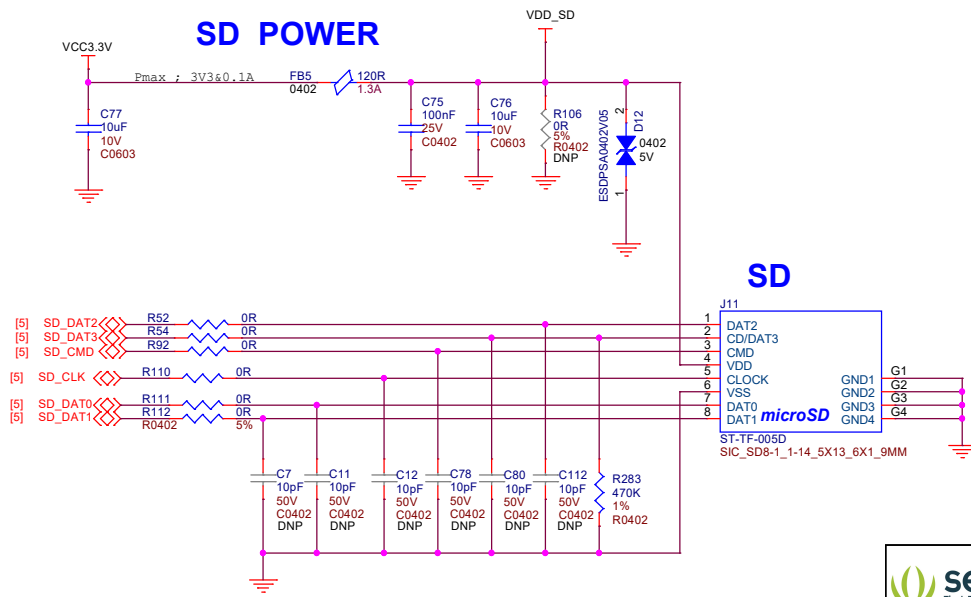
## DOUBLE\_USB2.0\_HOST\_POWER



# Ethernet0

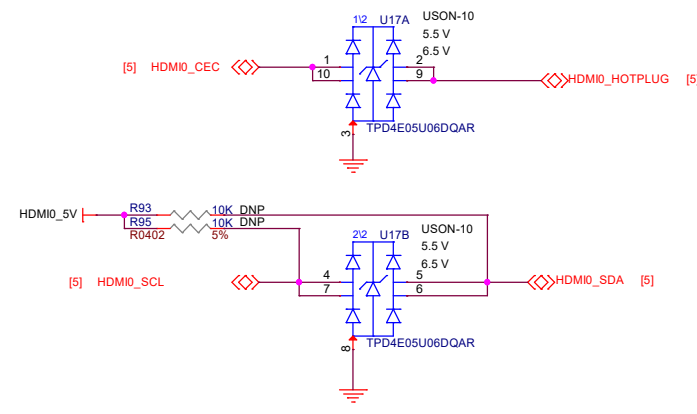
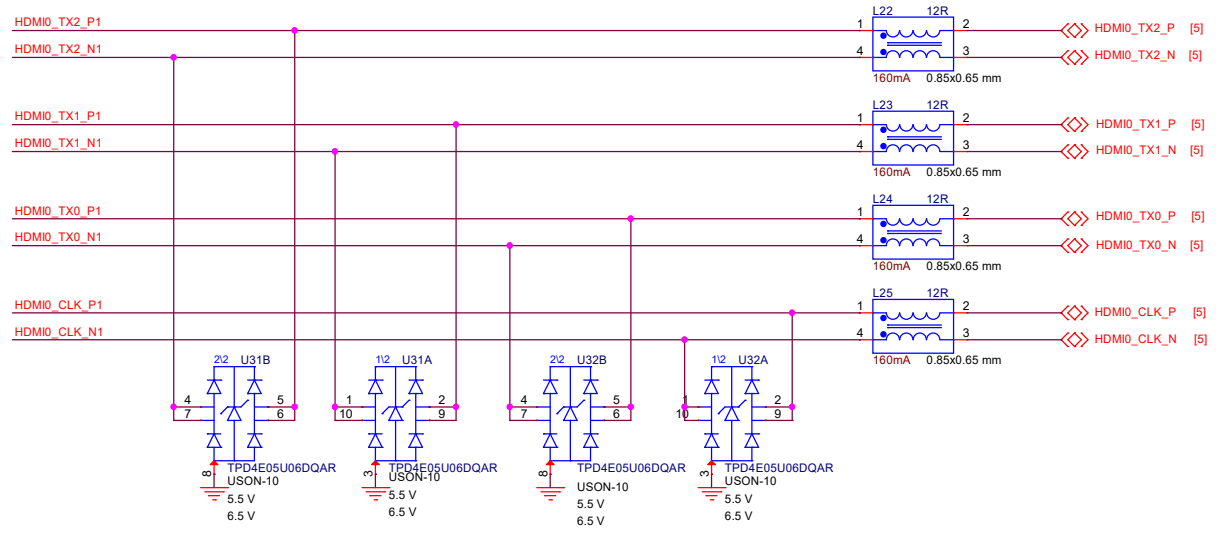
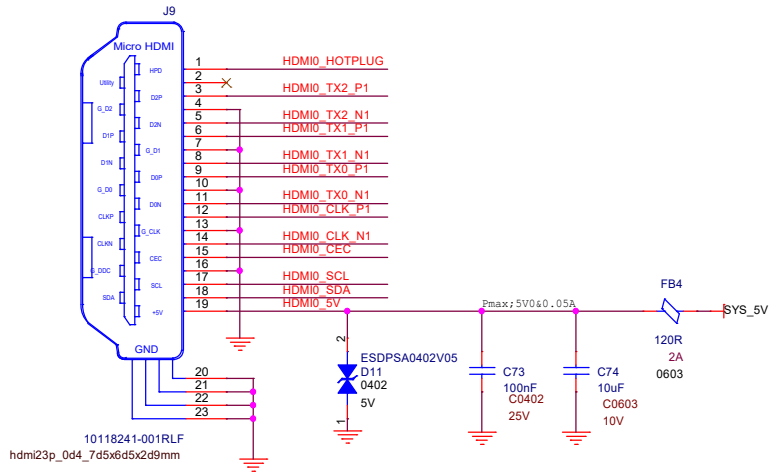


# SD POWER

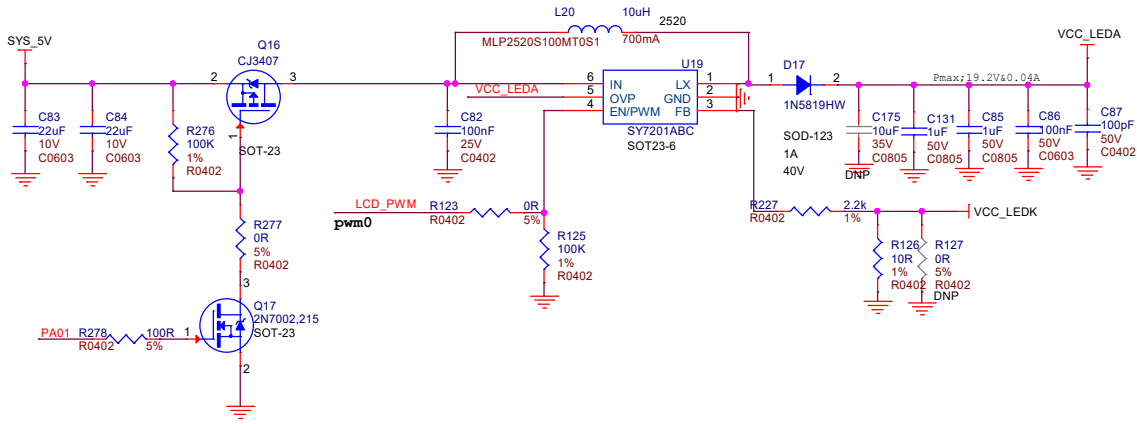




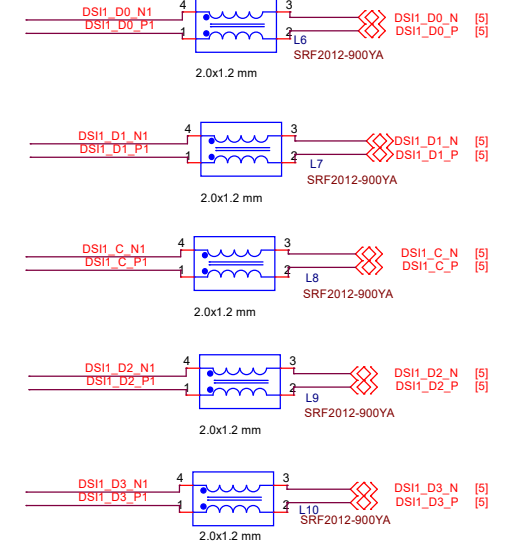
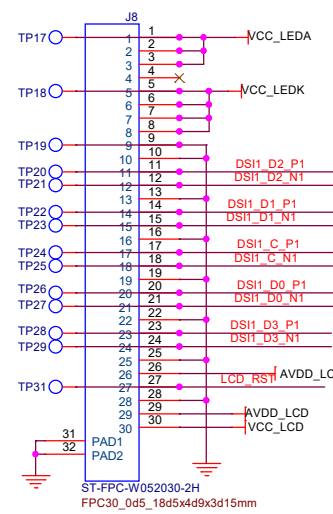
# MICRO HDMI 0



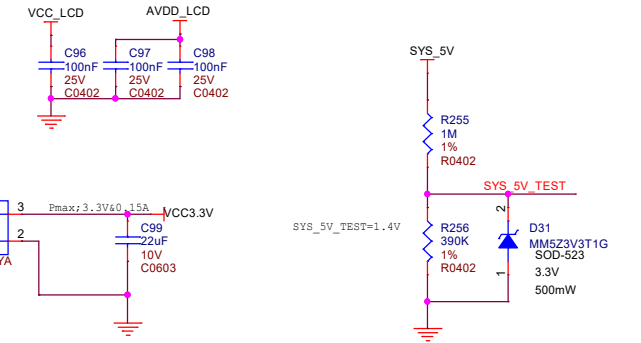
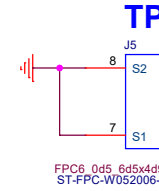
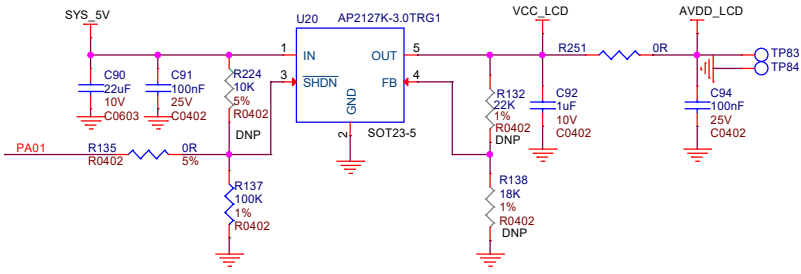
## BACKLIGHT POWER OF LCD



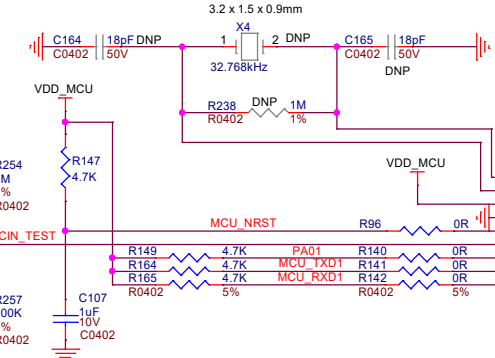
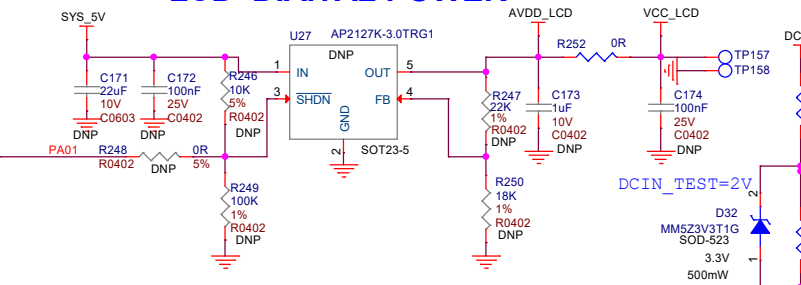
## DSI0\_LCD



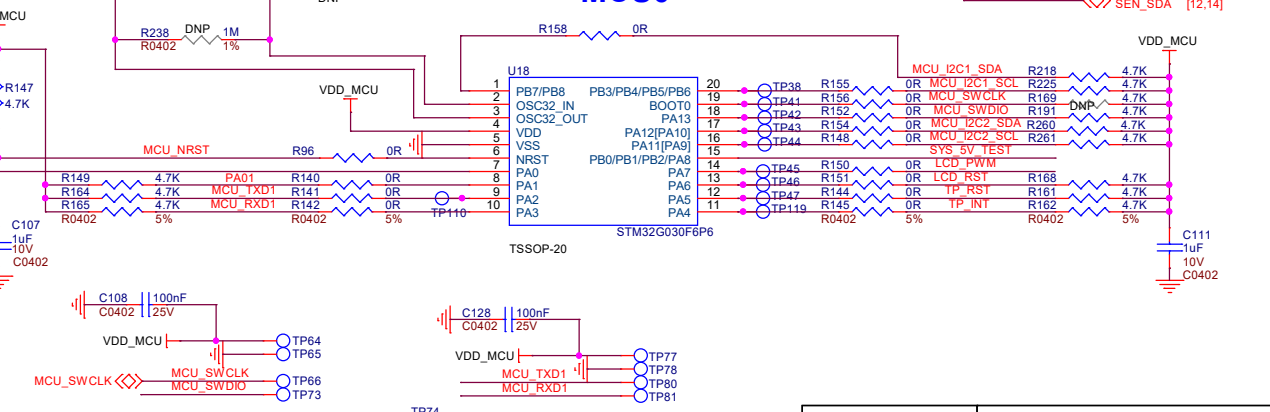
## LCD DIGITAL POWER



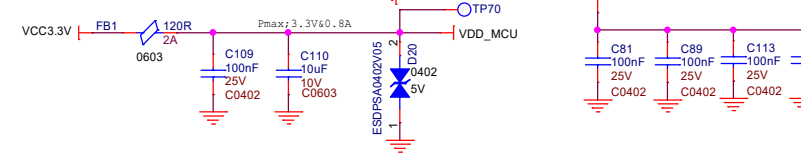
## LCD DIGITAL POWER



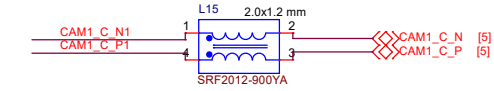
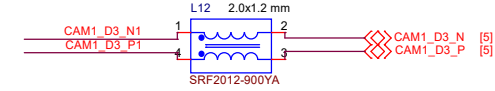
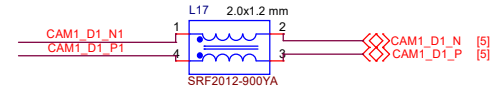
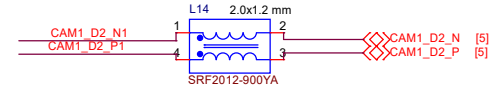
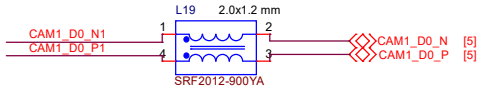
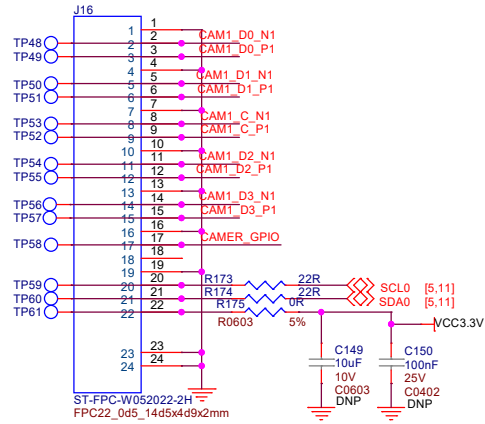
## MCU



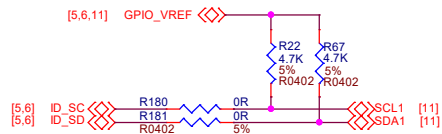
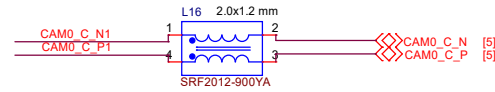
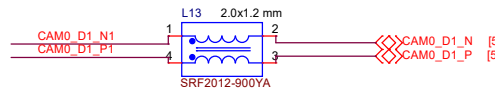
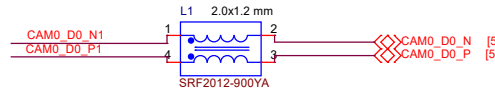
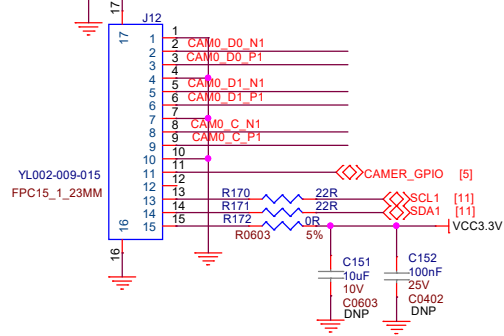
## MCU POWER



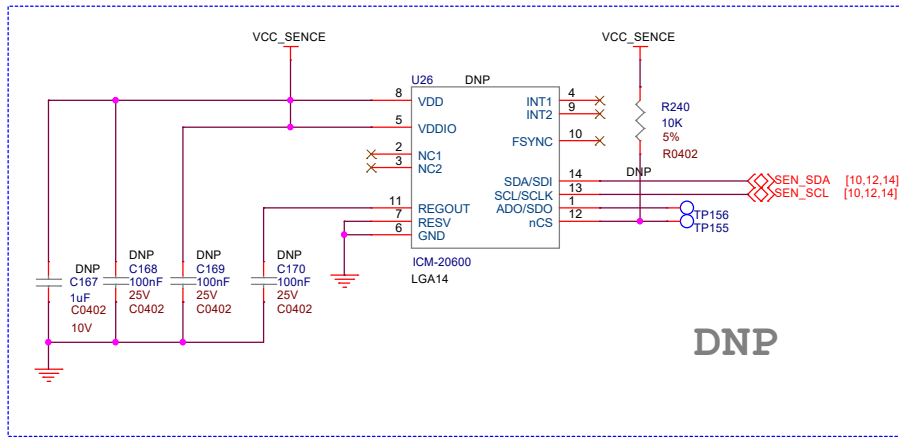
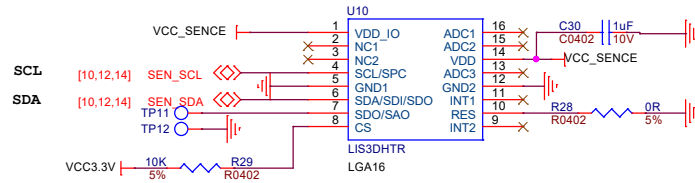
# CSI1\_CAMER



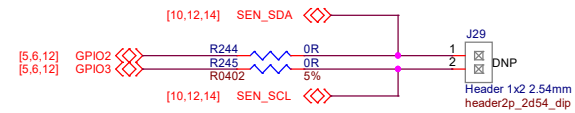
# CSI0\_CAMER



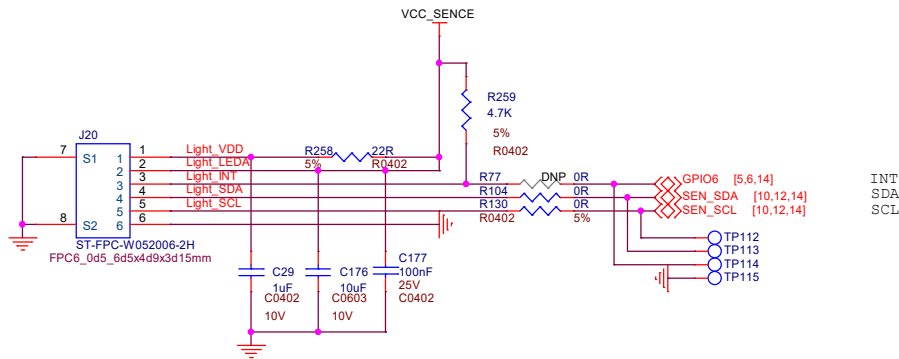
# accelerometer Sensor



DNP

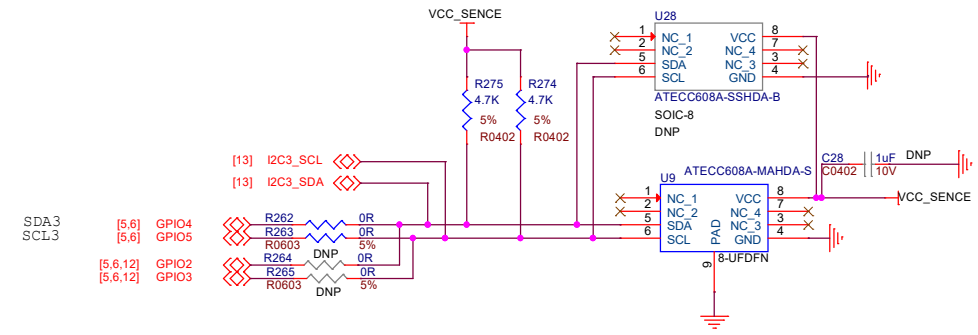


# Light Sensor

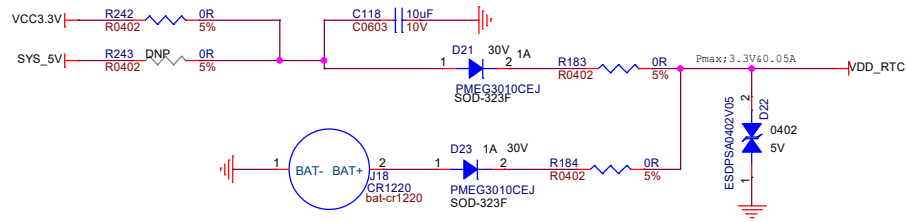


INT  
SDA  
SCL

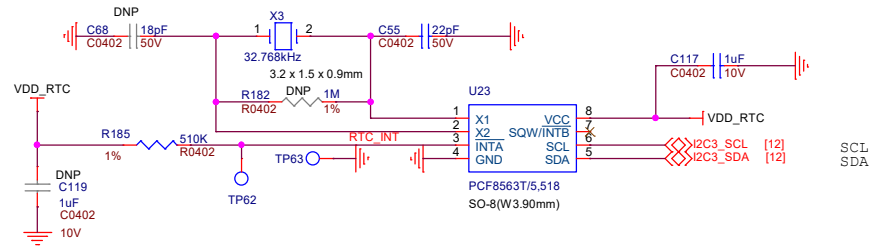
# encryption Sensor

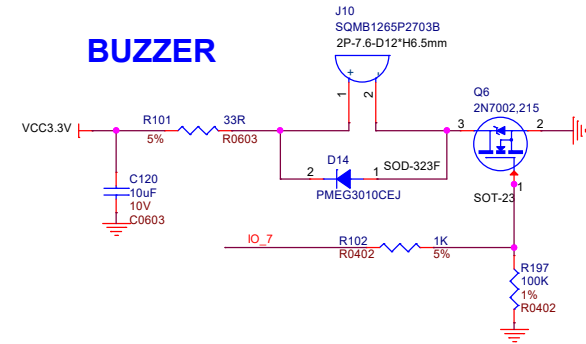
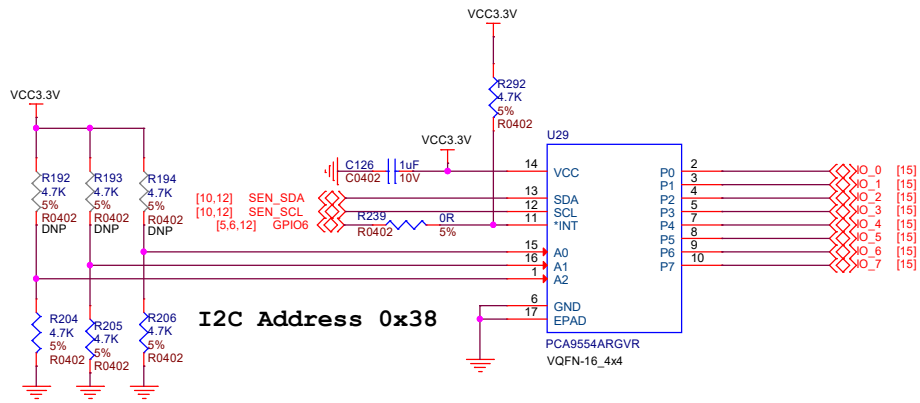


## RTC\_POWER

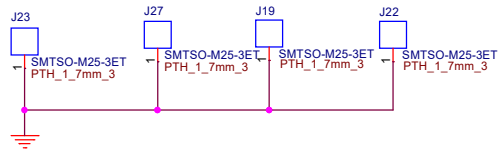


## RTC IC

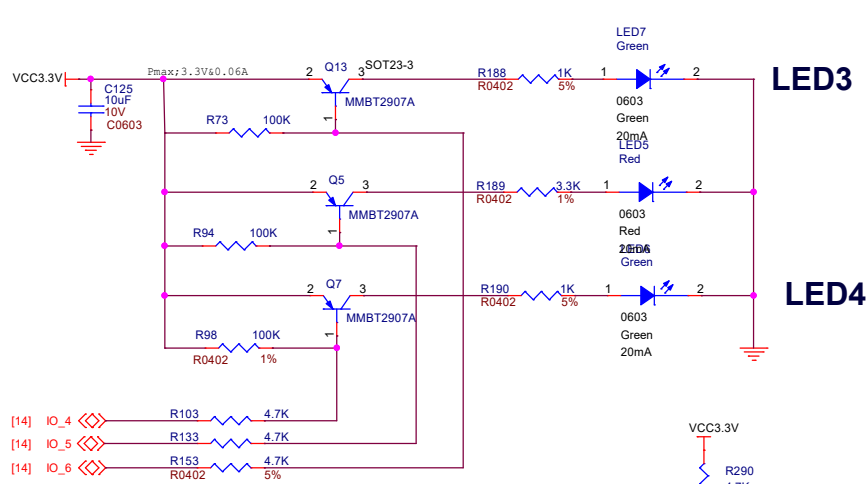




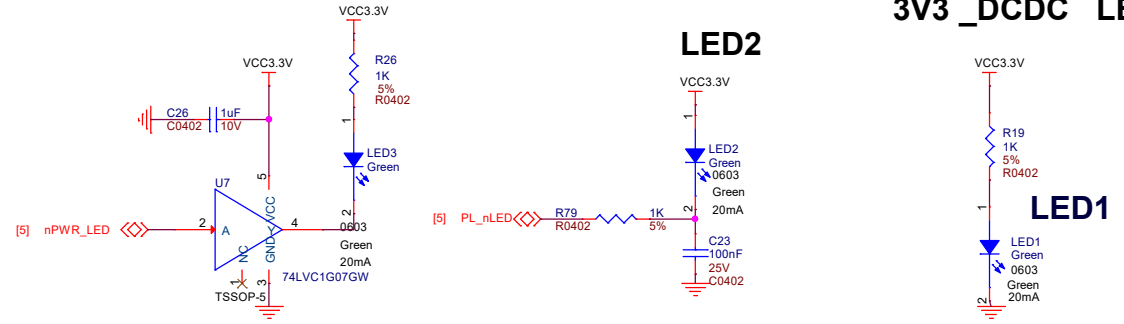
## HOLES



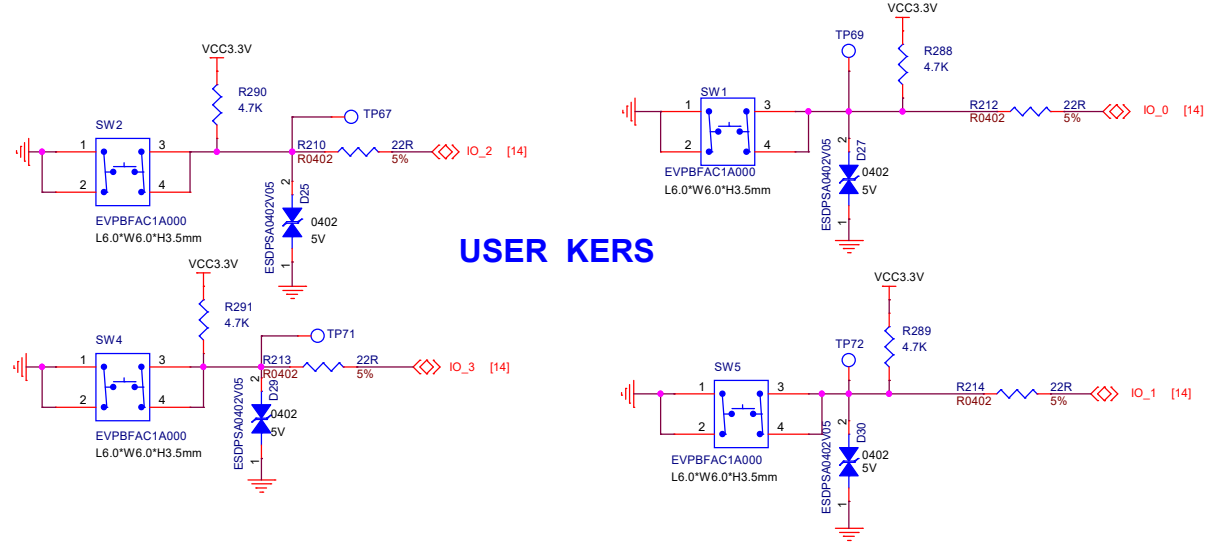
# USER LEDS



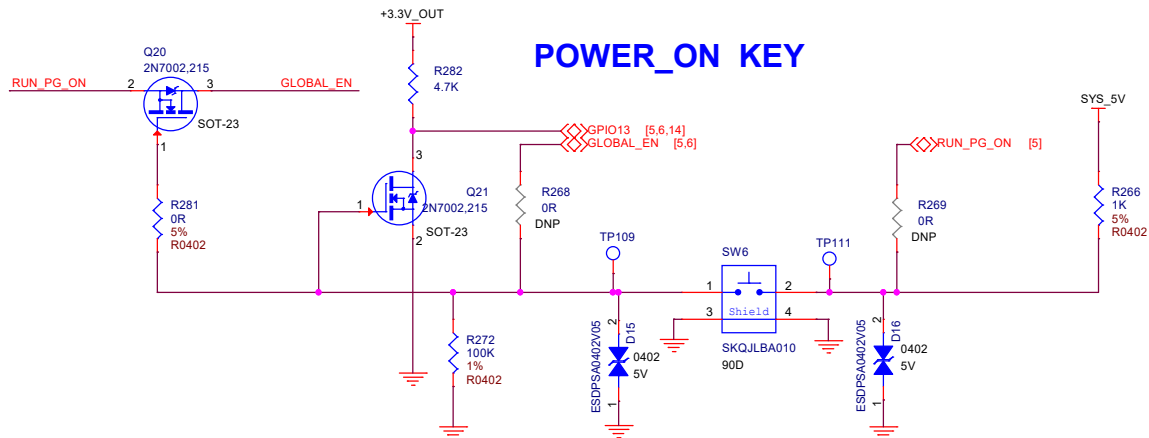
# 3V3\_DCDC LED



# USER KERS



# POWER\_ON KEY



# Reset KEY

