

REV	Description	DATE	BY
v1.0	Initial Version	2023/1/4	Linus.Liao
v1.1	Optimize the distance from the positioning hole of the shield to the pads on both sides	2023/3/27	Linus.Liao
v1.2	1.Remove the silkscreen for K1, K2, U3, and U4 2.Adjust C30 and C16 inward	2023/7/25	Linus.Liao
v1.3	R5 changed from 0R to L5_24nH	2025/10/21	wei.Xing

seeed studio

Seeed Studio

Sheet: /01 Descriptions/

File: 01 Descriptions.kicad_sch

Title: XIAO ESP32-S3-Sense

Size: A3

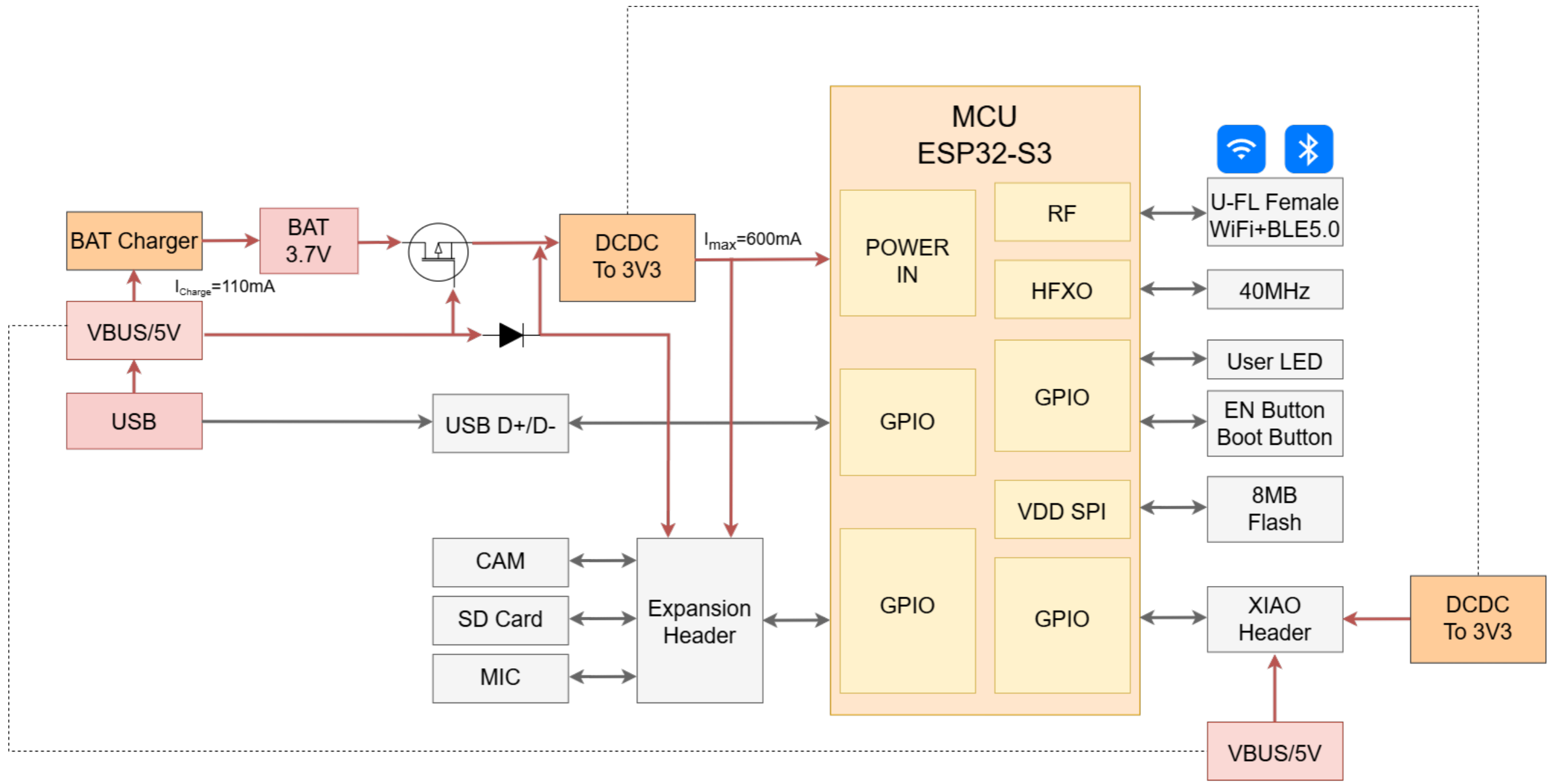
Date: 2026-02-10

Rev: V1.3

KiCad E.D.A. 9.0.6

Id: 2/4

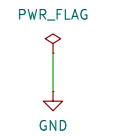
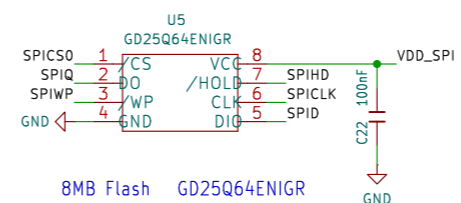
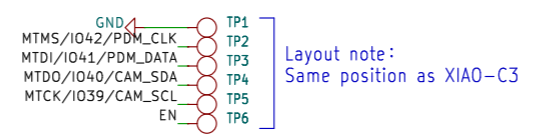
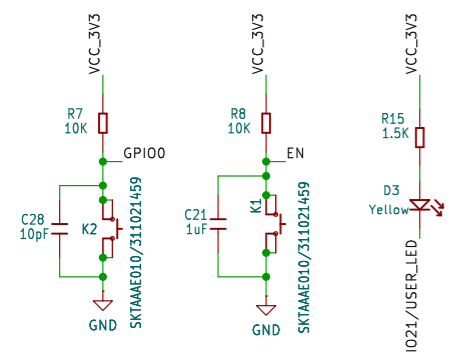
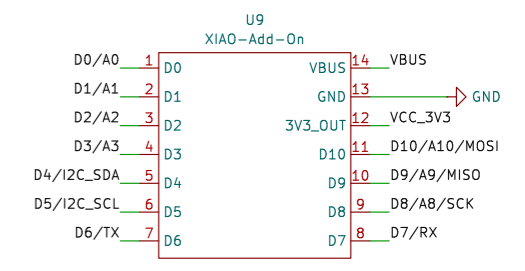
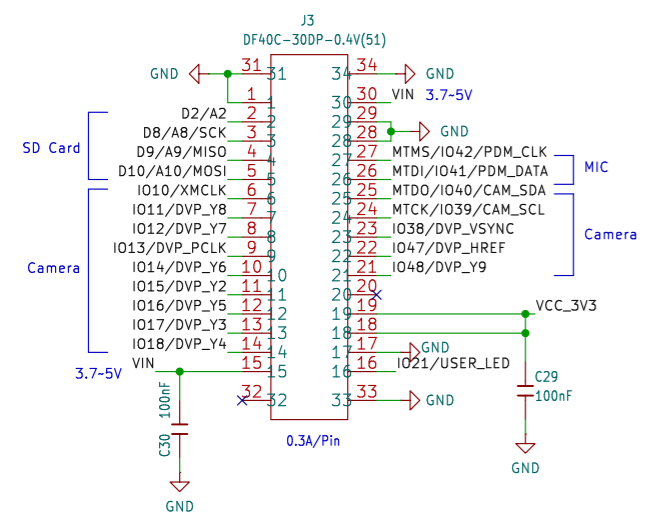
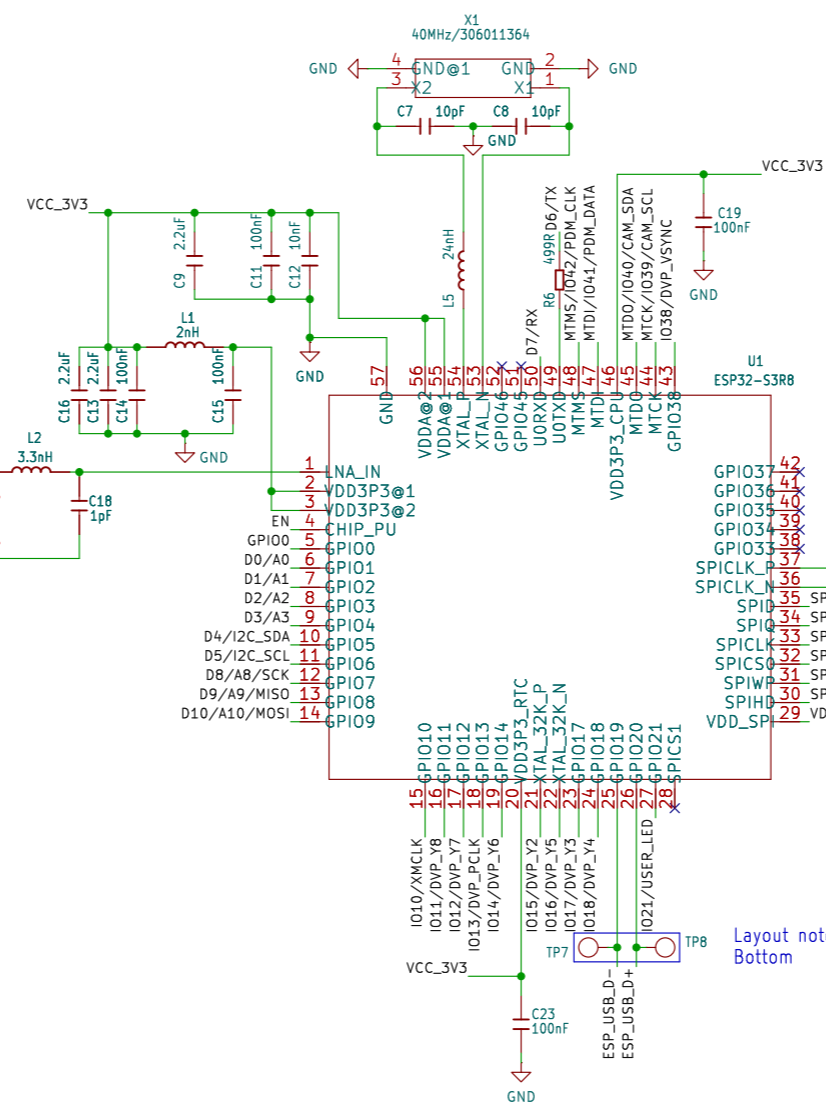
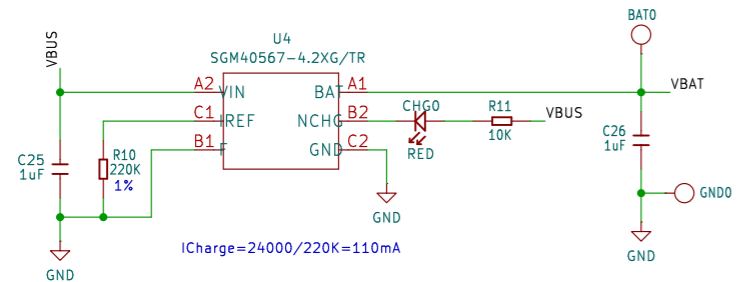
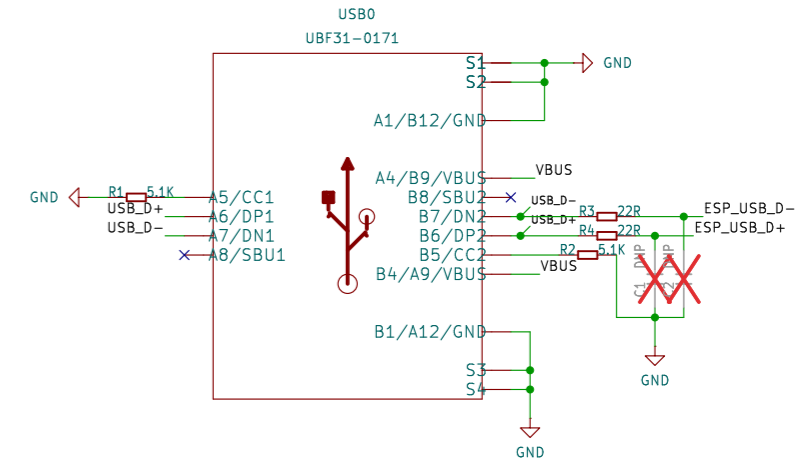
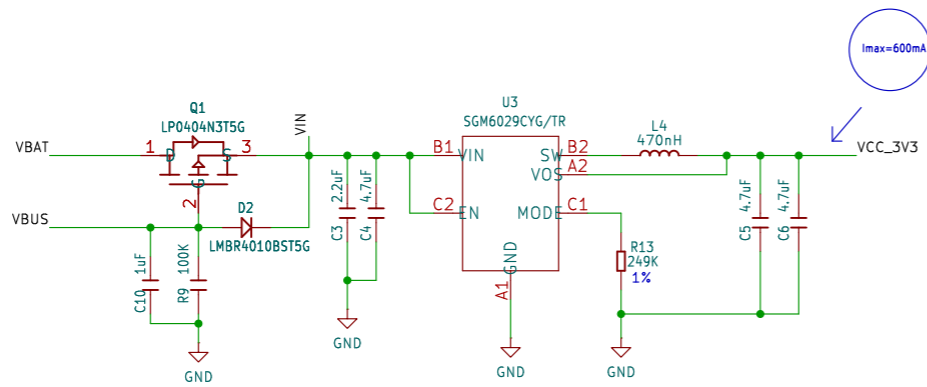
CC BY-SA 4.0



seeed studio

Seed Studio
 Sheet: /02 Block Diagram/
 File: 02 Block Diagram.kicad_sch
Title: XIAO ESP32-S3-Sense
 Size: A3 Date: 2026-02-10 Rev: V1.3
 KiCad E.D.A. 9.0.6 Id: 3/4

CC BY-SA 4.0



seed studio

Seed Studio		
Sheet: /03 XIAO ESP32-S3-Sense/		
File: 03 XIAO ESP32-S3-Sense.kicad_sch		
Title: XIAO ESP32-S3-Sense		
Size: A3	Date: 2026-02-10	Rev: V1.3
KiCad E.D.A. 9.0.6		Id: 4/4

CC BY-SA 4.0