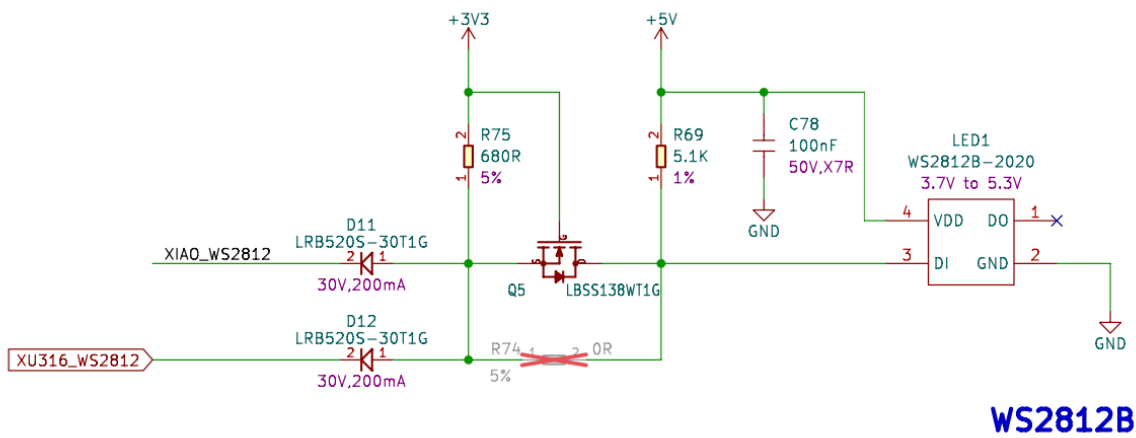
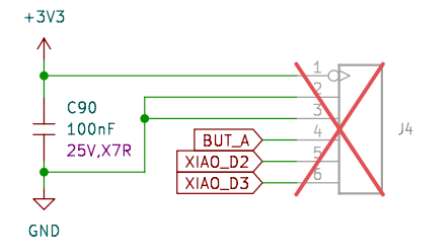


Layout Note:  
Same position as XIAO S3 Test Point

## XIAO ESP32 S3



## WS2812B



## Pad