

1

2

3

4

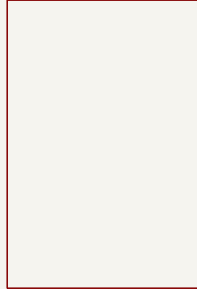
5

6

A

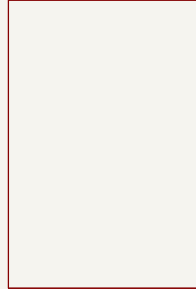
A

01 Descriptions



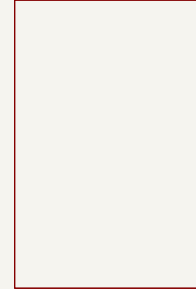
File: 01 Descriptions.kicad_sch

02 Block Diagram



File: 02 Block Diagram.kicad_sch

03 Power

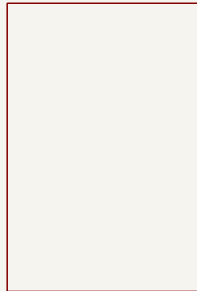


File: 03 Power.kicad_sch

B

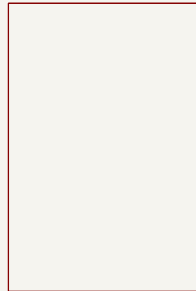
B

04 ATSAM11D14A



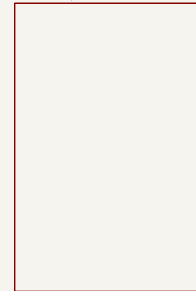
File: 04 ATSAM11D14A.kicad_sch

05 EFR32MG24B220



File: 05 EFR32MG24B220.kicad_sch

06 Peripheral



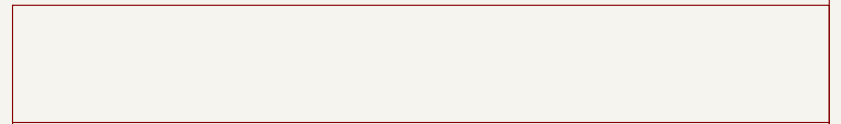
File: 06 Peripheral.kicad_sch

C

C

D

D



Sheet: /		File: XIAO_MGM240S_KICAD_Prj.kicad_sch	
Title:			
Size: A4	Date: 2024-07-18	Rev:	
KiCad E.D.A. 8.0.0		Id: 1/7	

1

2

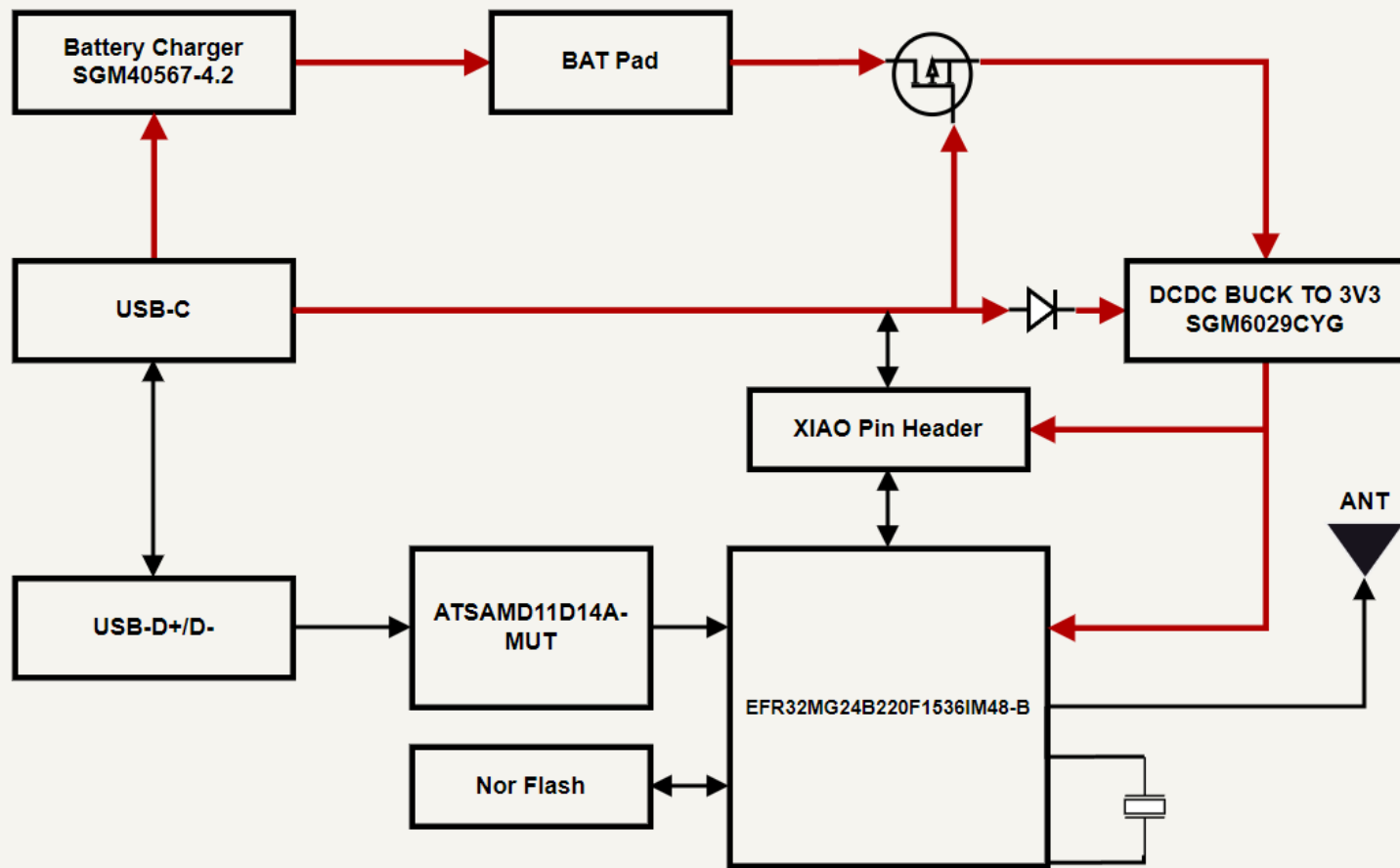
3

4

5

6

Version	Descriptions	Data	Name
v1.0	First Release	09/27/2024	wenkang.liu
v1.1	1.Change R20 from 47K to 68K 1% 2.Add R21 47K 5% 3.Change flash U8 from 0.5MB to 4MB 4.Add R22 100K 1% 5.Change C4 from 10uF to 4.7uF 6.Change L1 from 0.47uH to 1uH	11/5/2024	wenkang.liu



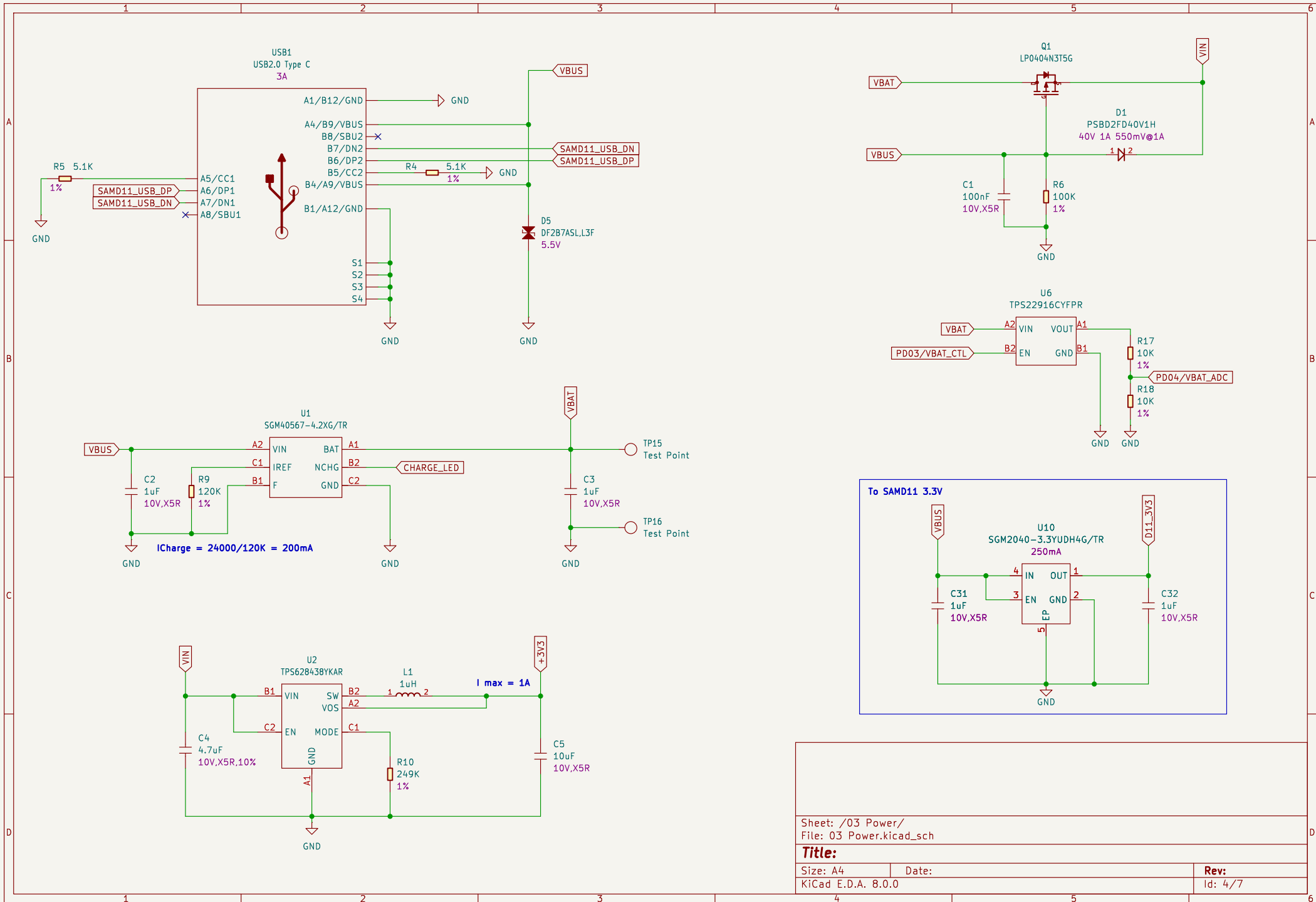
Sheet: /02 Block Diagram/
 File: 02 Block Diagram.kicad_sch

Title:

Size: A4
 KiCad E.D.A. 8.0.0

Date:

Rev:
 Id: 3/7



Sheet: /03 Power/
File: 03 Power.kicad_sch

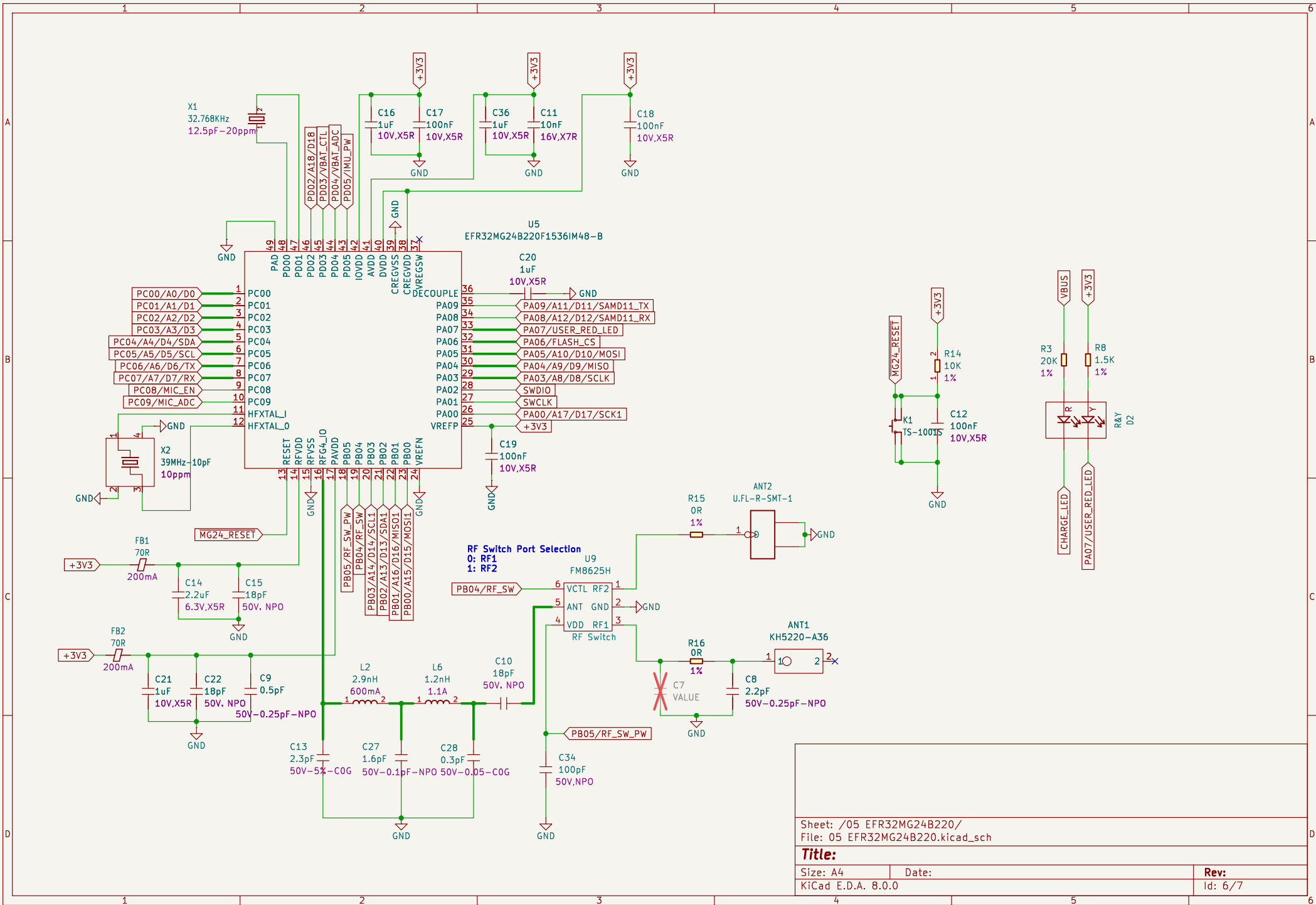
Title:

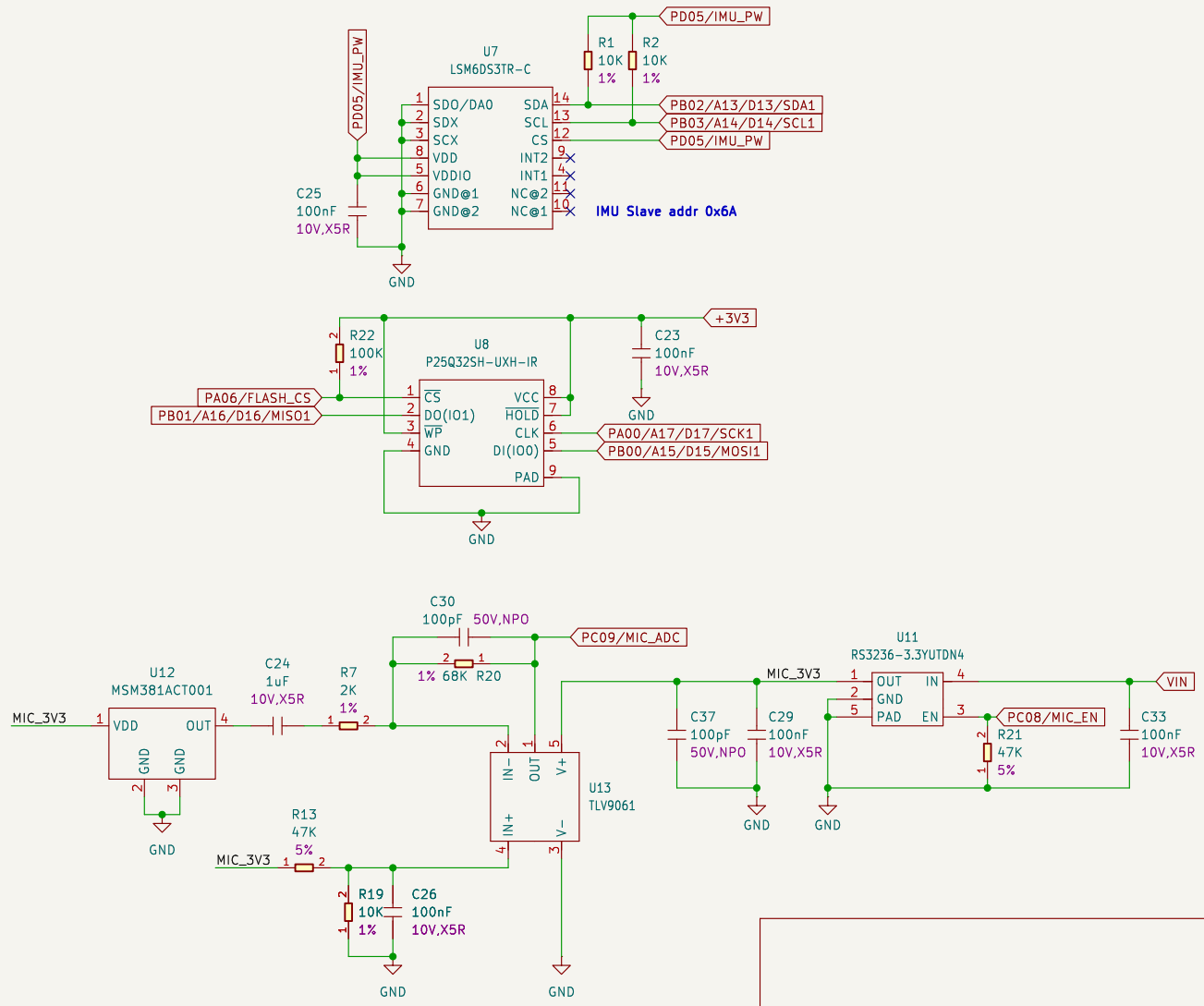
Size: A4 Date:

KiCad E.D.A. 8.0.0

Rev:

Id: 4/7





Sheet: /06 Peripheral/
 File: 06 Peripheral.kicad_sch

Title:

Size: A4	Date:	Rev:
KiCad E.D.A. 8.0.0		Id: 7/7